

KDW 1003 LDW 1003

QUICK SPECIFICS

3
CYLINDERS

26.8 | **20** @ 3600 rpm
HP kW

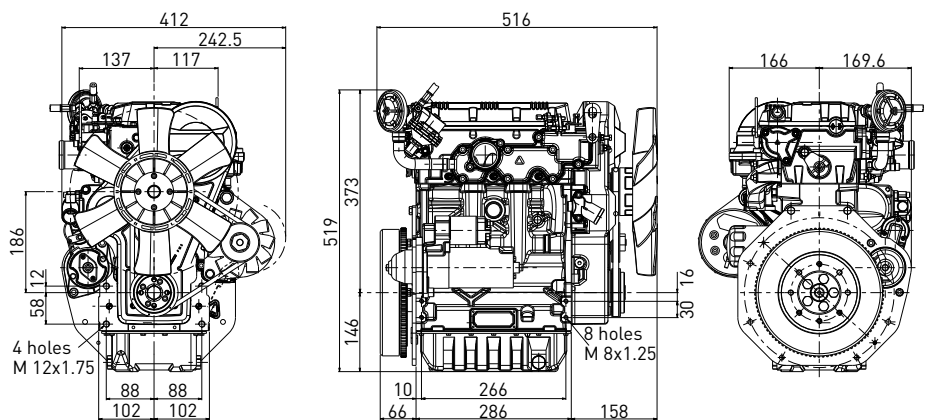
67 @ 2000 rpm
Nm

[Power & torque N curve - 80/1269/CE E-ISO 1585]



DATA

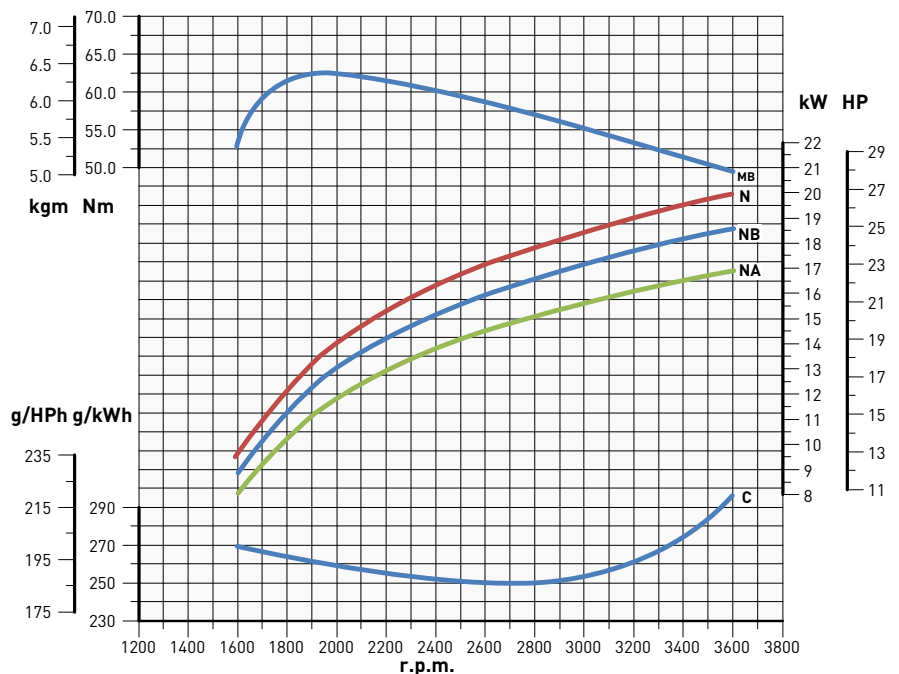
DIMENSIONS (mm)



OTHER AVAILABLE SETTINGS

Power max. NB* (kW)	Torque max. (Nm)
16.2 @ 3000 rpm	59 @ 2000 rpm
13.5 @ 2500 rpm	57.5 @ 1700 rpm

PERFORMANCE CURVES (IFN- ISO 3046 AND ISO 14396)



N - Power curve - 80/1269/CE E-ISO 1585

NB - Power curve - ISO 3046/1 -IFN

NA - Power curve - ISO 3046/1 - ICXN

MB - Torque curve - (NB curve)

C - Specific fuel consumption - (NB curve)

Power ratings refer to engines equipped with air filter, standard muffler, after running-in period at ambient conditions of +25°C, relative humidity 30% and 1 bar. Power levels drop by 1% every 100 m altitude and by 2% every 5°C above +25°C.