

SPRAYING TECHNOLOGY SINCE 1997



ANONI[®]
EQUIPAMENTOS

LINE OF PRODUCTS

2020/2021

STAINLESS STEEL
SPRAY SYSTEMS
AND SUPPORT EQUIPMENTS
FOR AG AVIATION



+55 (44) 99864-4747
+55 (44) 3424-2420
+55 (44) 3424-2884



www.zanonequipamentos.com.br
zanoni@zanonequipamentos.com.br



Rodovia BR 376
Distrito Industrial
Paranavaí/PR - Brazil



THE COMPANY

Zanoni Equipamentos manufactures stainless steel aerial spraying systems, with a wide range of products for Air Tractor, Cessna, Ipanema, Pawnee, and Thrush aircrafts, as well as ground support equipments. In order to satisfy customers in the best possible way, the company counts on high technology machines and highly qualified staff, using resources that result in quality, profitability and reliability for the agricultural aviation industry.

With a degree in Mechanical Engineering from the Federal University of Paraná (UFPR), Sérgio Antônio Zanoni became part of the industry in 1981, as a mechanic of an agricultural aviation company. Working with aircraft maintenance, he realized the need for equipments with greater durability and that could offer more quality in the aerial spraying, attending to the operators in a personalized way.

It was then that in August 1997, in the city of Paranavaí (Paraná, Brazil), he and his wife Graziela incorporated Zanoni Equipamentos Agrícolas, with the aim of bringing innovations for the agricultural aviation industry through the use of stainless steel equipments. The company started in a small building, where it stayed for four years. Due to the development of its operations, a new headquarters was built, where it is currently installed. Initially, all operational activities were performed only by Sérgio and Graziela and the first employee was admitted after twelve months, who is still in the team to this day.

Since its foundation, Zanoni Equipamentos has been a reference in the ag aviation industry and the Brazilian leading manufacturer of aerial spray systems. Providing equipments for most of the fleet in Brazil (which is the second biggest in the world) and in South America, the company is constantly doing field work and exchanging knowledge with entrepreneurs, pilots and other professionals in the industry. Participating constantly in national and international conventions and having operations in several countries in the Americas and Africa, its team of engineers are fully dedicated to meet the demands of the market and to offer the best technologies for the company's partners.



MISSION: To generate profitability and safety in the aerial application through research and development of high quality products.



VISION: To be a world reference in the agricultural aviation industry

OUR VALUES:



RESPECT FOR PEOPLE



CUSTOMER SATISFACTION



PASSION FOR WHAT WE DO



INTEGRITY



SUSTAINABILITY

ZANONI EQUIPAMENTOS

LINE OF PRODUCTS 2020/2021



01-09

PISTON ENGINE AIRCRAFT

10-19

TURBINE ENGINE AIRCRAFT

20-29

SPRAY PUMPS

30-45

VALVES

46-49

ROTARY ATOMIZERS

50-54

GATE BOXES

55-64

SUPPORT AND ACCESSORIES



FOR MORE INFORMATION,
CHECK OUR WEBSITE:

WWW.ZANONIEQUIPAMENTOS.COM.BR/EN

PISTON ENGINE





ANONI[®]
EQUIPAMENTOS

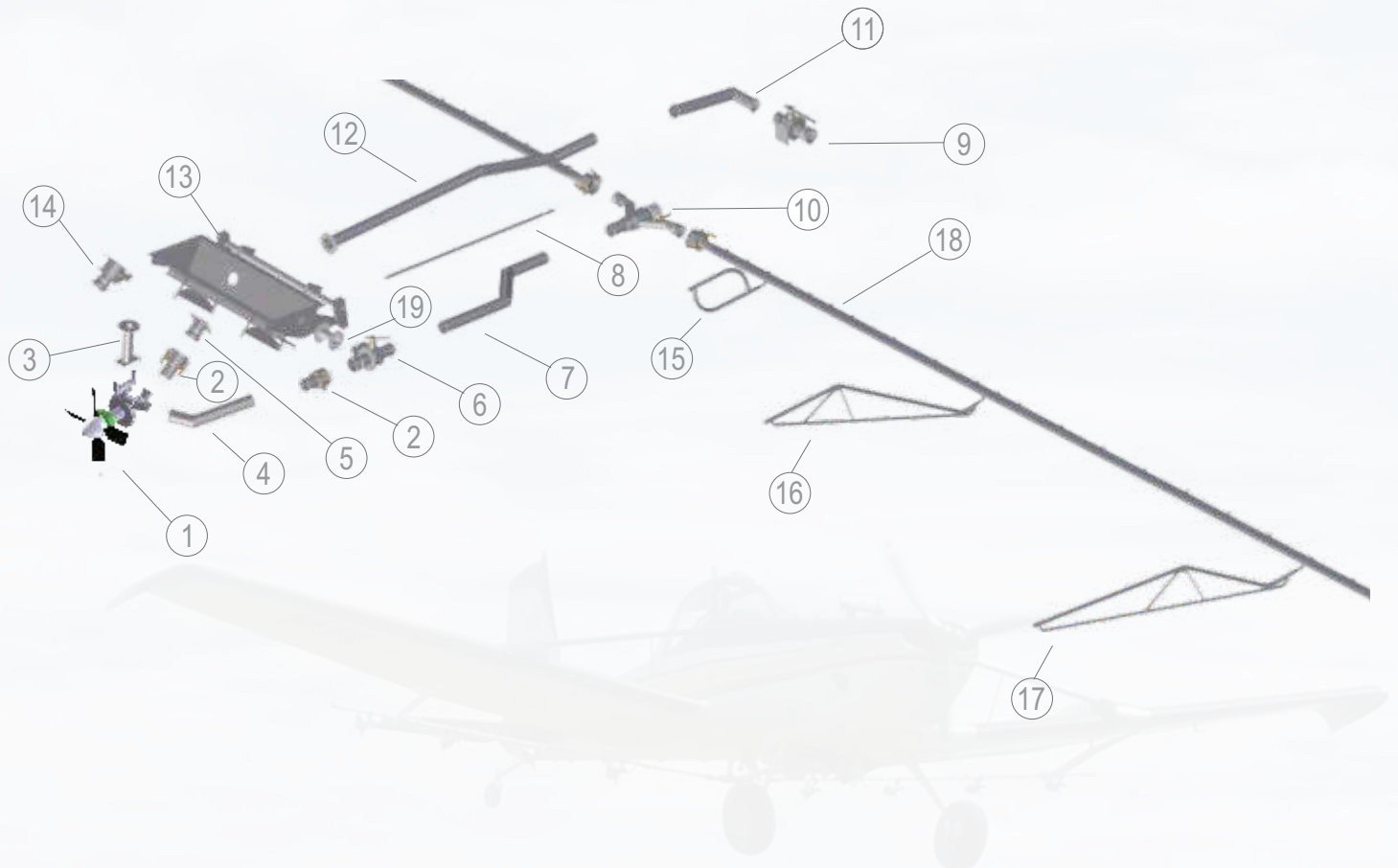
PISTON ENGINE

Since the beginning of agricultural aviation in the world, piston engine aircrafts have played an important role in protecting fields, starting with the first tests carried out in the 1920s, the development of the first series-produced agricultural airplanes and, finally, with the fleet expansion along with the modernization of global agriculture. From then on, the Embraer Ipanemas, Cessnas, Pawnees, and other types of small aircrafts carry out a constant work to care for the crops, where the pilots play an important role.

Zanoni Equipamentos first emerged as a company focused on these aircrafts, being responsible for equipping a considerable portion of the Brazilian fleet and seeking to accompany the modernization of these models. In addition to offering the standard spraying system, for some years having supplied equipment directly to manufacturers, the company has been developing several instruments for their optimization.

In recent years, products have been designed to provide greater comfort and simplicity and to allow a more efficient operation, reinforcing the commitment to be in direct contact with the all pilots and to provide solutions that meet all kind of demands.

SPRAY SYSTEM
CESSNA 188



ITEM	PN	PRODUCT
1	Z 18830EN	12V SPRAY PUMP (Pag. 22)
	Z 20330E	24V SPRAY PUMP (Pag. 22)
2	Z 00004I	2" FEMALE/HOSE COUPLER (STAINLESS STEEL)
	Z 20204E	2" FEMALE/HOSE COUPLER (ALUMINUM)
3	Z 18831E	PUMP MOUNT
4	Z 18811E	PUMP-VALVE PIPE
5	Z 18803E	2" STAINLESS MALE FLANGE
6	Z 18842E	SPRAY CONTROL VALVE (Pag. 32)
7	Z 18822-8E	VALVE-BOOM PIPE
8	Z 18832E	SPRAY CONTROL VALVE'S ROD
9	Z 18840	2" LEFT HAND LOADER VALVE (Pag. 32)
	Z 18843	2" RIGHT HAND LOADER VALVE (Pag. 32)

ITEM	PN	PRODUCT
10	Z 18823	CENTER BOOM W/ STRAINER
11	Z 18812E-01	LOADER PIPE
12	Z 18812E-02	LOADER PIPE
13	Z 18808	GATE BOX (Pag. 54)
14	Z 18805E	2" SHUT-OFF VALVE
15	Z 18822-3	BOOM HANGER (2 UNITS)
16	Z 18822-2	BOOM HANGER (2 UNITS)
17	Z 18822-1	BOOM HANGER (2 UNITS)
	Z 18822-0	STREAMLINED BOOMS (2 UNITS)
18	Z 18822-0R	STREAMLINED BOOMS F/ ROTARY ATOMIZERS (2 UNITS)
	Z 20202E	SPRAY CONTROL VALVE'S FLANGE



Spray Control Valve
Z18842E
(Pag. 32)



Spray Pump
12V: Z18830EN
24V: Z20330E
(Pag. 22)



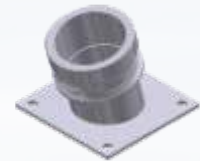
2" Left Hand Loader Valve
Z18840
(Pag. 32)



2" Shut-Off Valve
Z18805E



2" Right Hand
Loader Valve
Z18843
(Pag. 32)



2" Male Flange
Z18803E



Pump Mount
Z18831E



Gate Box
Z18808
(Pag. 54)



Spray Control Valve's Rod
Z18832E



Valve-Boom Pipe
Z18822-8E



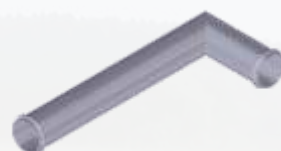
Pump-Valve Pipe
Z18811E



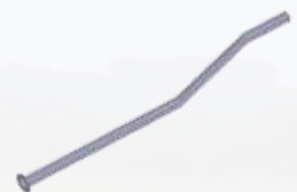
Streamlined Booms
Z18822-0



Center Boom w/
Strainer
Z18823

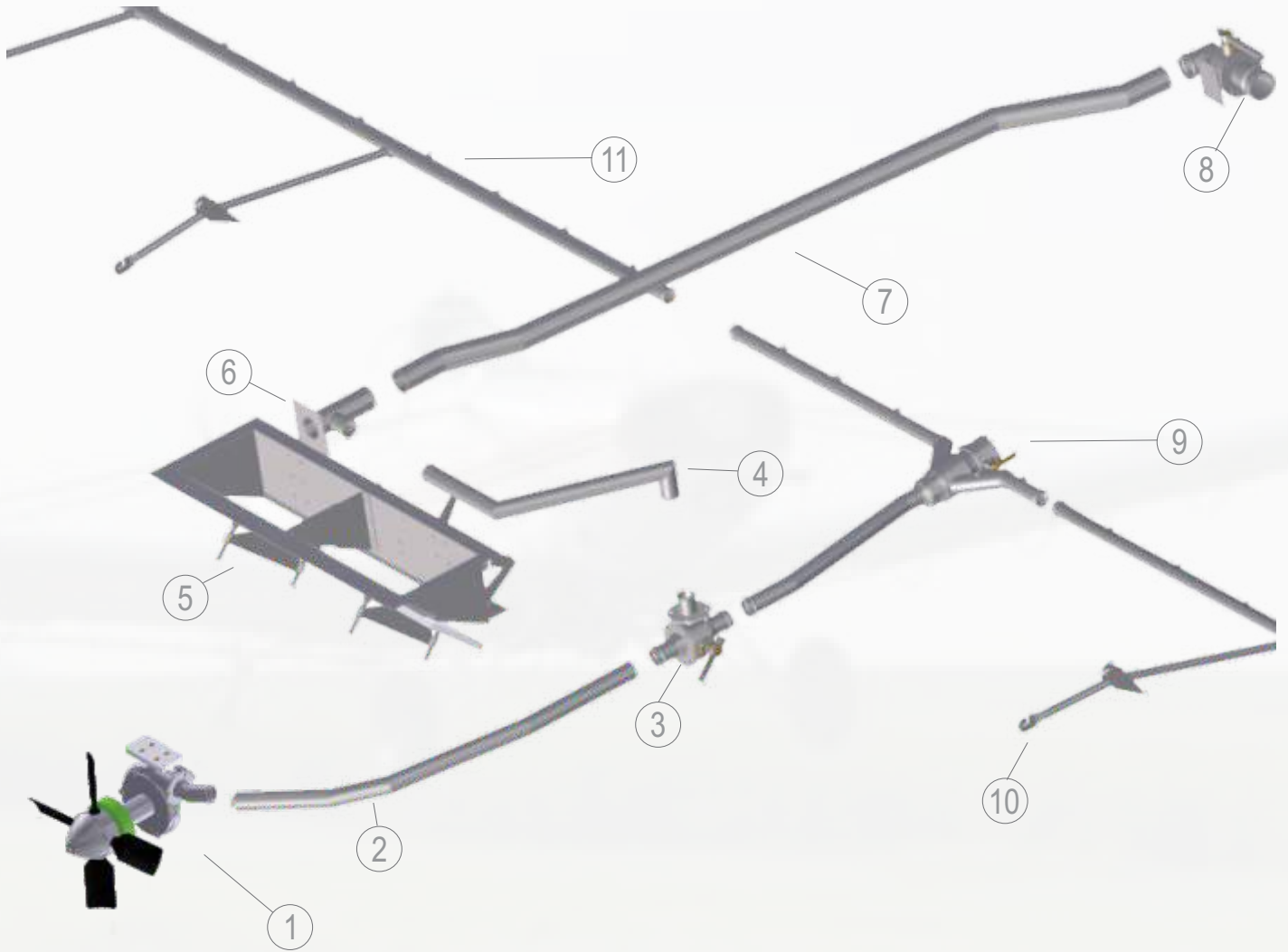


Loader Pipe
Z18812E-01



Loader Pipe
Z18812E-02

SPRAY SYSTEM
PAWNEE 235



ITEM	PN	PRODUCT
1	Z 23530EN	SPRAY PUMP (Pag. 23)
2	Z 23511E	PUMP-VALVE PIPE
3	Z 23542E	SPRAY CONTROL VALVE (Pag. 33)
4	Z 23513E	1 ½" RETURN PIPE
5	Z 23508	GATE BOX (Pag. 54)
6	Z 23501E	INLET FLANGE

ITEM	PN	PRODUCT
7	Z 23512E	LOADER PIPE
8	Z 23540	2" LEFT HAND LOADER VALVE (Pag. 33)
9	Z 23523	CENTER BOOM W/ STRAINER
10	Z 23522-2	BOOM HANGER (6 UNITS)
11	Z 23522-0	STREAMLINED BOOMS (2 UNITS)
	Z 23522-0R	STREAMLINED BOOMS F/ ROTARY ATOMIZERS (2 UNITS)



Inlet Flange
Z 23501E



2" Left Hand Loader Valve
Z 23540
(Pag. 33)



Pump-Valve Pipe
Z 23511E



Loader Pipe
Z 23512E



Spray Pump
Z 23530EN
(Pag. 23)



1 1/2" Return Pipe
Z 23513E



Streamlined Booms
Z 23522-0
Set with two units



**Streamlined Booms f/ Rotary
Atomizers**
Z 23522-0R
Set with two units



Boom Hanger
Z 23522-2
6 units used on the aircraft
(PN for only one unit)



**Center Boom w/
Strainer**
Z 23523

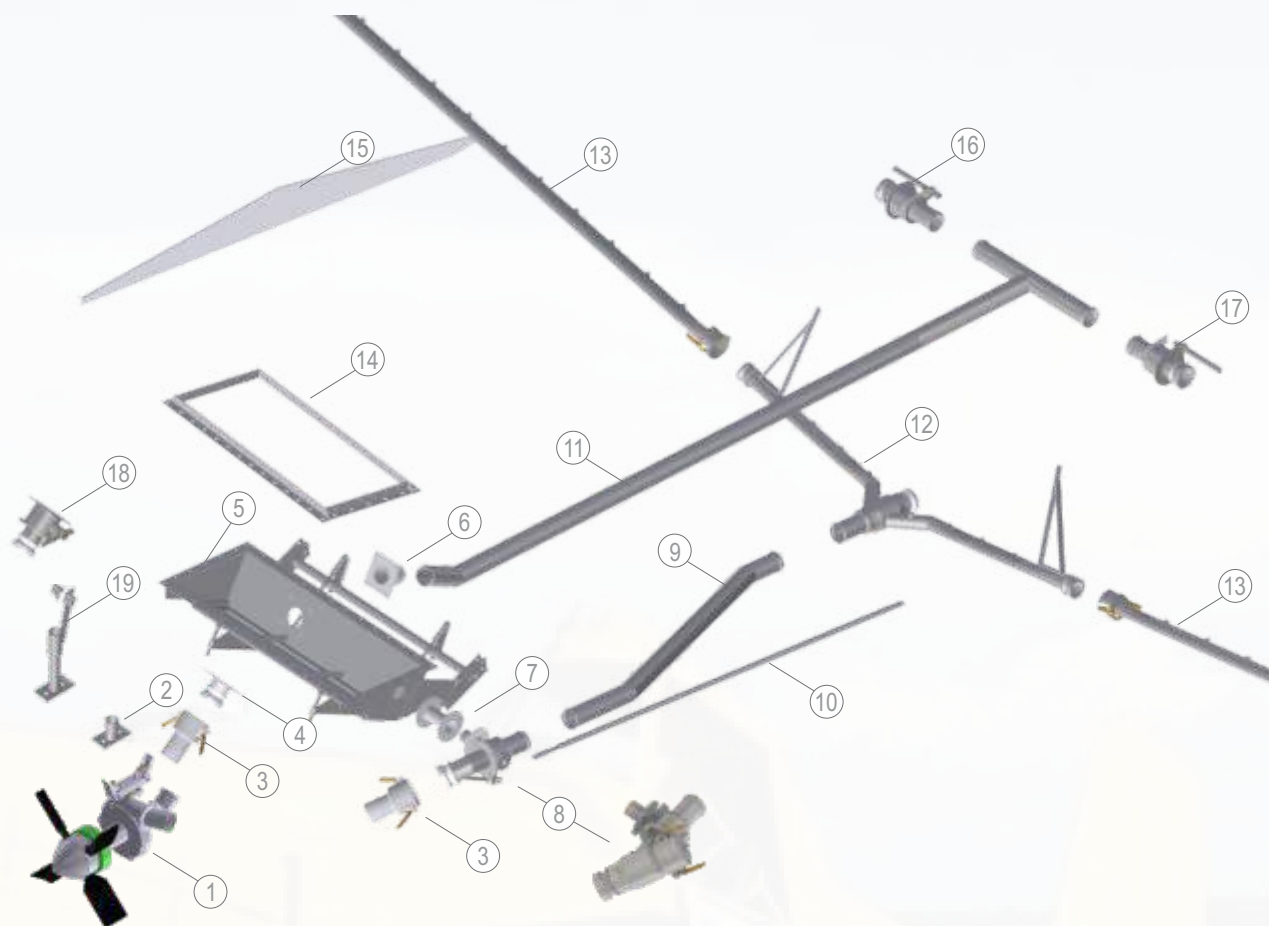


Gate Box
Z 23508
(Pag. 54)



Spray Control Valve
Z 23542E
(Pag. 33)

SPRAY SYSTEM
EMBRAER IPANEMA 201/202/203



ITEM	PN	PRODUCT
1	Z 20330E	24V SPRAY PUMP (Pag. 22)
2	Z 20231E	PUMP MOUNT
3	Z 20204E	2" FEMALE/HOSE COUPLER (ALUMINUM)
	Z 00004I	2" FEMALE/HOSE COUPLER (STAINLESS STEEL)
4	Z 20203E	2" STAINLESS MALE FLANGE
5	Z 20308	GATE BOX (Pag. 54)
6	Z 20201	2" INLET FLANGE
7	Z 20202E	SPRAY CONTROL VALVE'S FLANGE
8	Z 20242E	SPRAY CONTROL VALVE (Pag. 34)
	Z 20242F	SPRAY CONTROL VALVE W/ STRAINER
9	Z 20222-8E	VALVE-BOOM PIPE
10	Z 20232E	SPRAY CONTROL VALVE'S ROD

ITEM	PN	PRODUCT
11	Z 20212E	LOADER PIPE
12	Z 20223	CENTER BOOM W/ STRAINER
13	Z 20221	BOOMS (2 UNITS)
	Z 20222-0	STREAMLINED BOOMS (2 UNITS)
	Z 20222-0R	STREAMLINED BOOMS F/ ROTARY ATOMIZERS (2 UNITS)
	Z 20322-00	IPANEMA 203'S STREAMLINED BOOMS (2 UNITS)
14	Z 20206	HOPPER'S FLANGE
15	Z 20222-2	BOOM HANGER (2 UNITS)
16	Z 20243	2" RIGHT HAND LOADER VALVE (Pag. 35)
17	Z 20240	2" LEFT HAND LOADER VALVE (Pag. 35)
18	Z 20205E	2" SHUT-OFF VALVE (OPTIONAL) (Pag. 34)
19	Z 20131E	PUMP MOUNT (201/201A)



Pump Mount
(201/201A)
Z 20131E



2" Inlet Flange
Z 20201



Spray Control Valve's Flange
Z 20202E



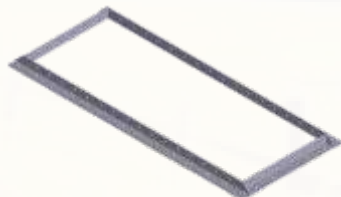
2" Male Flange
Z 20203E



2" Male Flange (AL)
Z 20204E



2" Shut-Off Valve
(Optional)
Z 20205E
(Pag. 34)



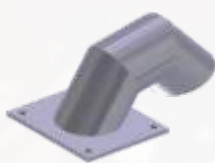
Hopper's Flange
Z 20206



Gate Box
Z 20308
(Pag. 54)



Hopper's Drain
Z 20207



2" Fishing Flange
Z 20209



Fire Gate Box
Z 20208I
(Pag. 53)



Loader Pipe
Z 20212E



Connection Pipe
(f/Traditional Boom)
Z 20214E



Center Boom w/ Strainer
(f/Traditional Boom)
Z 20220



Booms
Traditional: Z 20221
Streamlined: Z 20222-0
For rotary atomizers: Z 20222-0R
For Ipanema 203: Z 20322-00



Upper Boom Hanger
Z 20222-1



Bottom Boom Hanger
Z 20222-2



Boom Fixer
Right: Z 20222-2-02D
Left: Z 20222-2-02E



Spray Control Valve's Rod
Z 20232E



Mounting Bracket - Wing
Z 20222-4



Mounting Bracket - Stringer
Z 20222-5



Connection Pipe
(Airfoil Boom)
Z 20222-8E



Airfoil Center Boom w/
Strainer
Z 20223



Spray Pump Mount
Z 20231E



2" Left Hand Loader Valve
Z 20240
(Pag. 35)



Spray Control Valve
Z 20242E
(Pag. 34)



Spray Control Valve w/
Strainer
Z 20242F



2" Right Hand Loader Valve
Z 20243
(Pag. 34)



Compressor for Air
Conditioning
Z 20260E



Spray Pump
Z 20330E
(Pag. 22)

TURBINE ENGINE



ANONI[®]
EQUIPAMENTOS





ANONI[®]
EQUIPAMENTOS



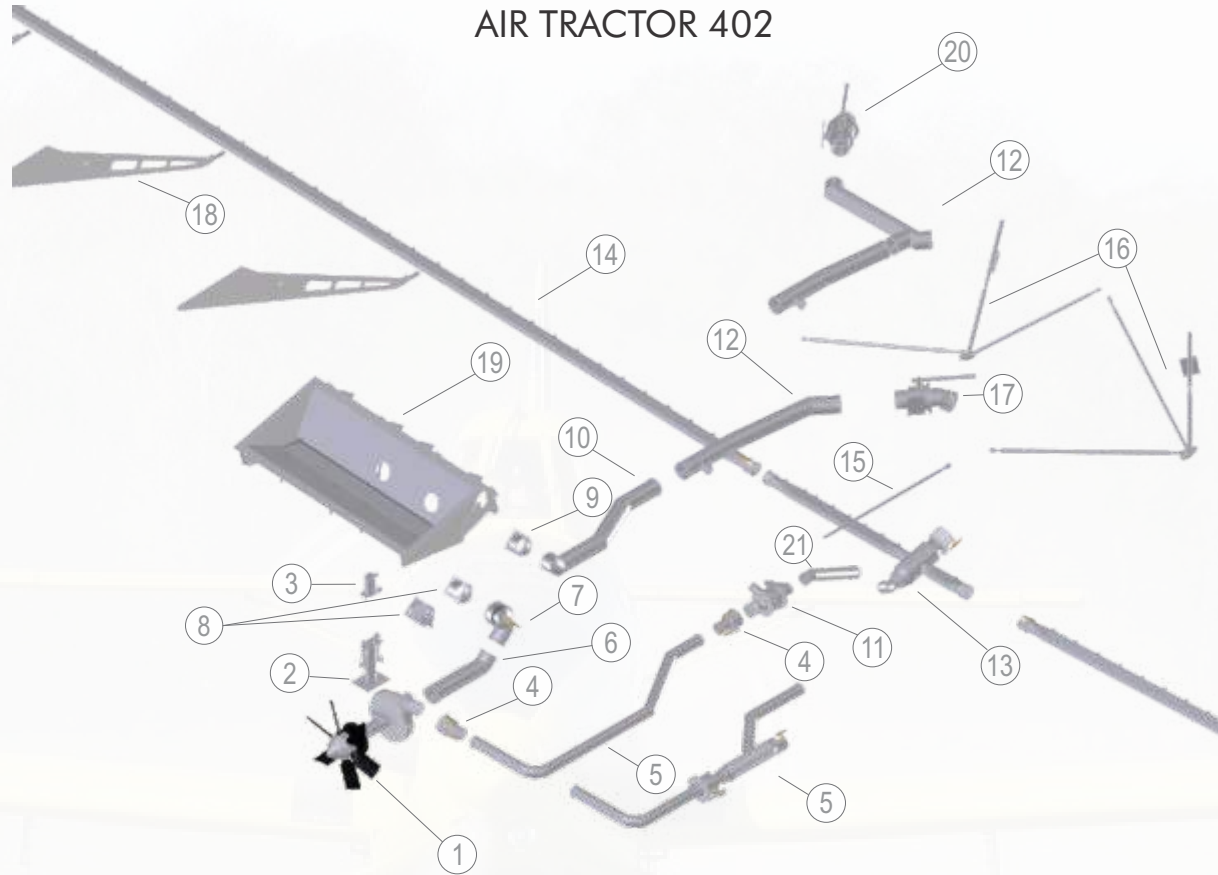
TURBINE ENGINE

With the growing demand for new technologies, agricultural aviation has seen the arrival of modern aircraft, capable of meeting different needs. Turbo-propellers, especially Air Tractors and Thrushes, have been representing an increasingly important part of the world fleet and present new opportunities for the entire industry.

Seeking to keep up with the new trends, Zanonni Equipamentos has given special attention to these models, developing the best spray systems for the various types of turbine engine aircrafts. We have an extensive line of products that were specifically designed for each of them, with the Zanonni quality and reliability.

Recently, the company has increased its contact with the ag aviation industry in other countries and continents, strengthening international partnerships and participating in different conventions abroad. Zanonni Equipamentos has been cooperating with its foreign partners for the development of new solutions and for making available the newest technologies to ag pilots worldwide.

SPRAY SYSTEM
AIR TRACTOR 402

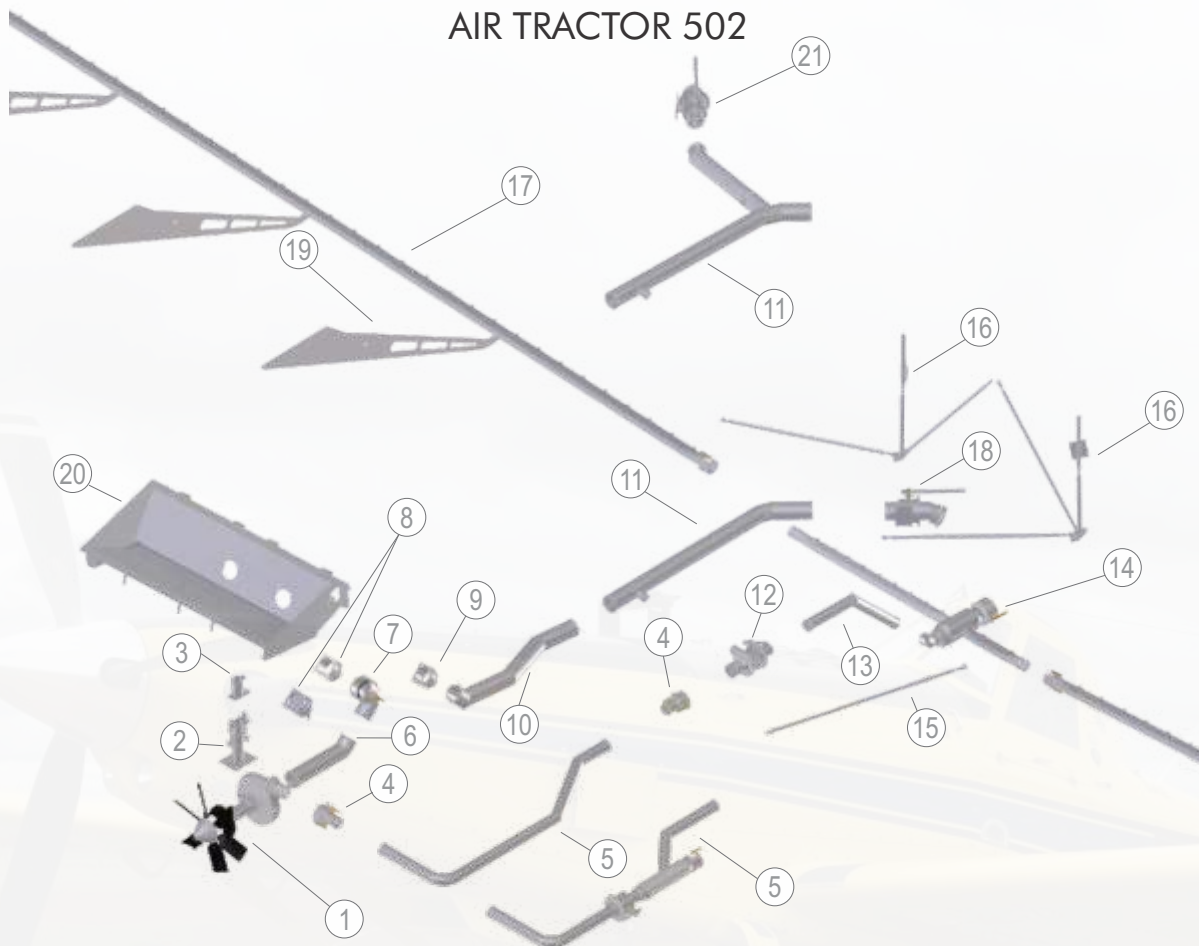


ITEM	PN	PRODUCT
1	Z 50230E	SPRAY PUMP (Pag. 24)
2	Z 40231E	SPRAY PUMP'S BOTTOM MOUNT
3	Z 40231ES	SPRAY PUMP'S UPPER MOUNT
4	Z 00004I	2" FEMALE/HOSE COUPLER (STAINLESS STEEL)
5	Z 40211E	PUMP-VALVE PIPE
	Z 40211EF	PUMP-VALVE PIPE W/ FLOWMETER STRAINER
6	Z 40202E	3" HOPPER-PUMP PIPE
7	Z 40204E	3" FEMALE/HOSE COUPLER, 90° (STAINLESS STEEL)
8	Z 40203E	3" MALE FLANGE
	Z 40205S	3" SHUT-OFF VALVE W/ STAINLESS BALL (Pag. 39)
	Z 50205E	3" BUTTERFLY SHUT-OFF VALVE (Pag. 39)
9	Z 40201E	3" INLET FLANGE
10	Z 40213E - 02	3" LOADER PIPE
11	Z 50242E	SPRAY CONTROL VALVE (Pag. 37)

ITEM	PN	PRODUCT
12	Z 40213E - 01	3" LOADER PIPE (SINGLE SUPPLY – ONE SIDE)
	Z 40213E-01DE	3" LOADER PIPE (DUAL SUPPLY – BOTH SIDES)
13	Z 40223	CENTER BOOM W/ STRAINER
14	Z 40222-0	AIRFOIL BOOMS
	Z 40222-0R	AIRFOIL BOOMS F/ ROTARY ATOMIZERS
15	Z 40232E	SPRAY CONTROL VALVE'S ROD
16	Z 40223-05	CENTER BOOM MOUNT
17	Z 40240S	3" LEFT HAND LOADER VALVE (Pag. 36)
18	Z 40222-2BB	BOOM HANGER (F/ LOWER POSITION)
	Z 40222-2BA	BOOM HANGER (F/ HIGHER POSITION)
19	Z 40208	GATE BOX (Pag. 54)
20	Z 40243S	3" RIGHT HAND LOADER VALVE (Pag. 36)
21	Z 40222-8E	VALVE-BOOM PIPE*

*Original model, without flow meter. For airplanes with GPS, please indicate the type of equipment.

SPRAY SYSTEM AIR TRACTOR 502

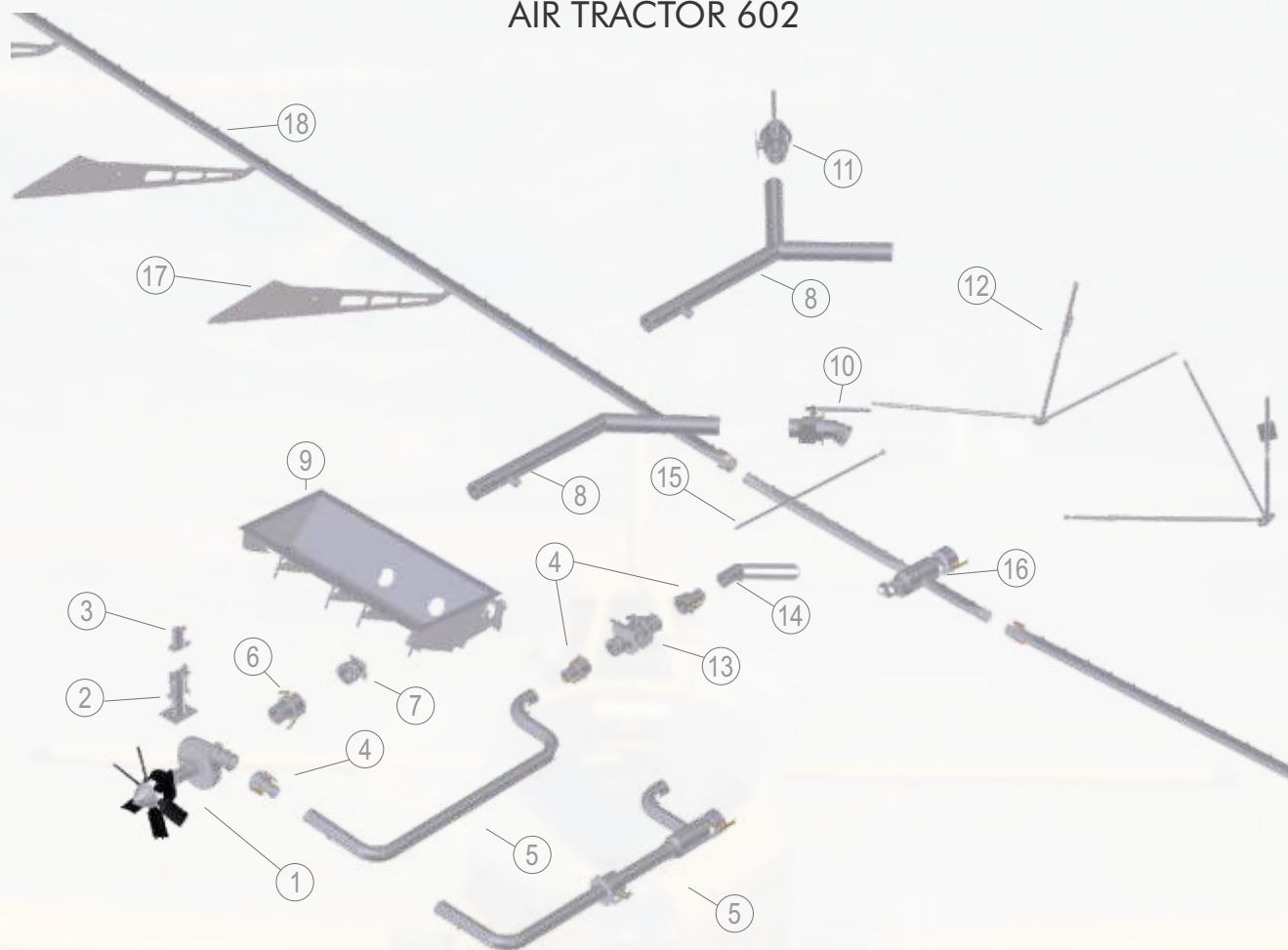


ITEM	PN	PRODUCT
1	Z 50230E	SPRAY PUMP (Pag. 24)
2	Z 40231E	SPRAY PUMP'S BOTTOM MOUNT
3	Z 40231ES	SPRAY PUMP'S UPPER MOUNT
4	Z 00004I	2" FEMALE/HOSE COUPLER (STAINLESS STEEL)
5	Z 40211E	PUMP-VALVE PIPE
	Z 40211EF	PUMP-VALVE PIPE W/ FLOWMETER STRAINER
6	Z 40202E	3" HOPPER-PUMP PIPE
7	Z 40204E	3" FEMALE/HOSE COUPLER, 90° (STAINLESS STEEL)
8	Z 40203E	3" MALE FLANGE
	Z 40205S	3" SHUT-OFF VALVE W/ STAINLESS BALL (Pag. 39)
	Z 50205E	3" BUTTERFLY SHUT-OFF VALVE (Pag. 39)
9	Z 40201E	3" INLET FLANGE
10	Z 50213E-02	3" LOADER PIPE

ITEM	PN	PRODUCT
11	Z 50213E-01	3" LOADER PIPE (SINGLE SUPPLY – ONE SIDE)
	Z 50213E-01DE	3" LOADER PIPE (DUAL SUPPLY – BOTH SIDES)
12	Z 50242E	SPRAY CONTROL VALVE (Pag.37)
13	Z 50222-8E	VALVE-BOOM PIPE*
14	Z 50223	CENTER BOOM W/ STRAINER
15	Z 50232E	SPRAY CONTROL VALVE'S ROD
16	Z 50223-05	CENTER BOOM MOUNT
17	Z 40222-0	AIRFOIL BOOMS
18	Z 40240S	3" LEFT HAND LOADER VALVE (Pag. 36)
19	Z 50222-2BB	BOOM HANGER (F/ LOWER POSITION)
	Z 50222-2BA	BOOM HANGER (F/ HIGHER POSITION)
20	Z 40208	GATE BOX (Pag. 54)
21	Z 40243S	3" RIGHT HAND LOADER VALVE (Pag. 36)

*Original model, without flow meter. For aircraft with GPS, please indicate the type of equipment.

SPRAY SYSTEM
AIR TRACTOR 602

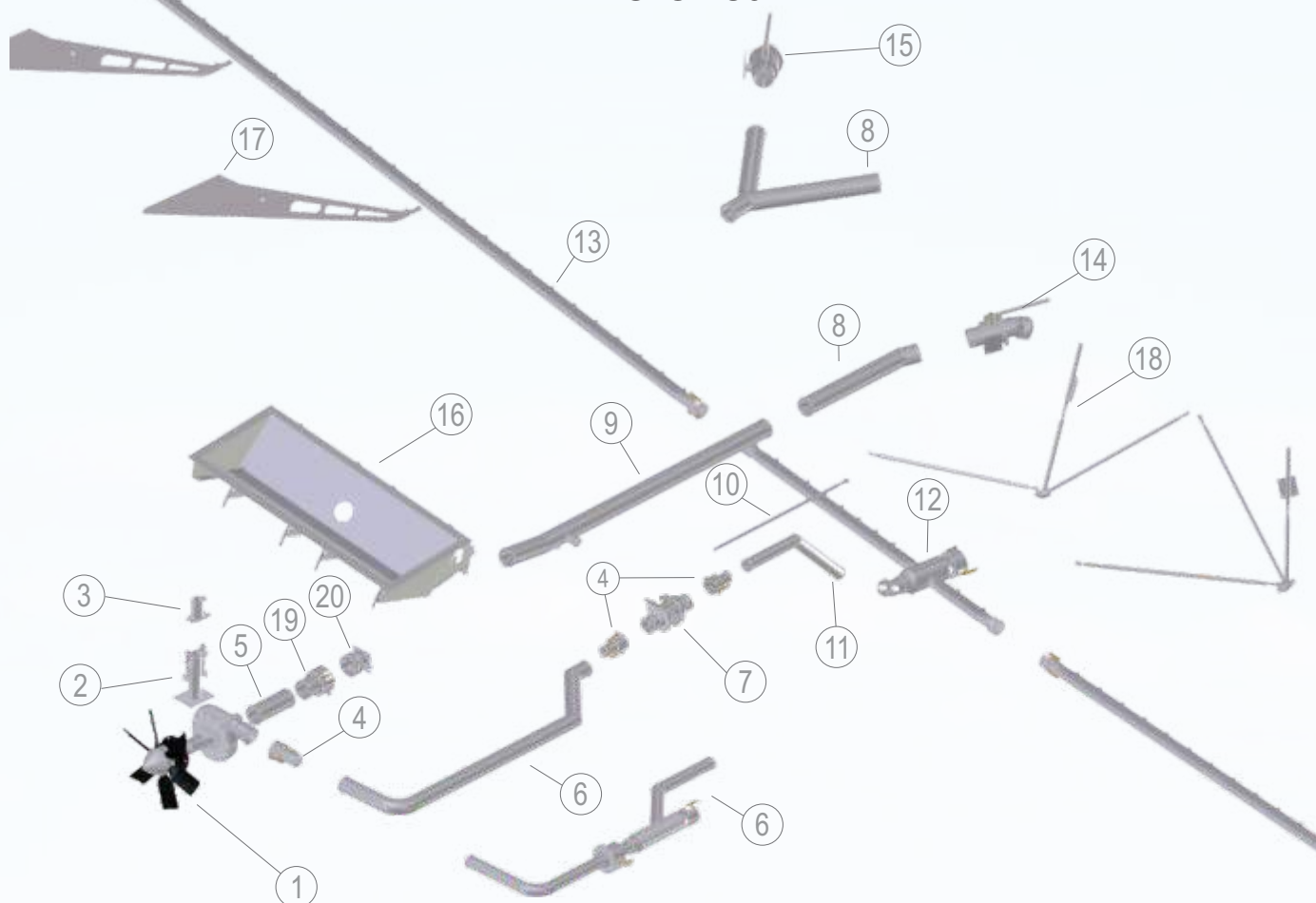


ITEM	PN	PRODUCT
1	Z 80230EN	SPRAY PUMP (Pag. 25)
2	Z 40231E	SPRAY PUMP'S BOTTOM MOUNT
3	Z 40231ES	SPRAY PUMP'S UPPER MOUNT
4	Z 00005	2 ½" FEMALE/HOSE COUPLER (ALUMINUM)
5	Z 60211E	PUMP-VALVE PIPE
	Z 60211EF	PUMP-VALVE PIPE W/ FLOWMETER STRAINER
6	Z 00006I	3" FEMALE/HOSE COUPLER (STAINLESS STEEL)
7	Z 50205E	3" BUTTERFLY SHUT-OFF VALVE (Pag. 39)
	Z 40205S	3" SHUT-OFF VALVE W/ STAINLESS BALL (Pag. 39)
	Z 40203E	3" MALE FLANGE
8	Z 60213E-01	3" LOADER PIPE (SINGLE SUPPLY – ONE SIDE)
	Z 60213E-1DE	3" LOADER PIPE (DUAL SUPPLY – BOTH SIDES)

ITEM	PN	PRODUCT
9	Z 80208	GATE BOX (Pag. 54)
10	Z 40240S	3" LEFT HAND LOADER VALVE (Pag. 36)
11	Z 40243S	3" RIGHT HAND LOADER VALVE (Pag. 36)
12	Z 60223-05	CENTER BOOM MOUNT
13	Z 80242E	SPRAY CONTROL VALVE (Pag. 38).
14	Z 60222-8E	VALVE-BOOM PIPE*
15	Z 50232E	SPRAY CONTROL VALVE'S ROD
16	Z 60223	CENTER BOOM W/ STRAINER
17	Z 50222-2BB	BOOM HANGER (F/ LOWER POSITION)
	Z 50222-2BA	BOOM HANGER (F/ HIGHER POSITION)
18	Z 60222-0	AIRFOIL BOOMS
	Z 60222-0R	AIRFOIL BOOMS F/ ROTARY ATOMIZERS

*Original model, without flow meter. For airplanes with GPS, please indicate the type of equipment.

SPRAY SYSTEM
AIR TRACTOR 802



ITEM	PN	PRODUCT
1	Z 80230EN	SPRAY PUMP (Pag. 25)
2	Z 40231E	SPRAY PUMP'S BOTTOM MOUNT
3	Z 40231ES	SPRAY PUMP'S UPPER MOUNT
4	Z 00005	2 ½" FEMALE/HOSE COUPLER (ALUMINUM)
5	Z 80202E	3" HOPPER-PUMP PIPE
6	Z 80211E	PUMP-VALVE PIPE
	Z 80211EF	PUMP-VALVE PIPE W/ FLOWMETER STRAINER
7	Z 80242E	SPRAY CONTROL VALVE (Pag. 38)
8	Z 80213E-01DE	3" LOADER PIPE (DUAL SUPPLY – BOTH SIDES)
	Z 80213E-01	3" LOADER PIPE (SINGLE SUPPLY – ONE SIDE)
9	Z 80213E-02	3" LOADER PIPE
10	Z 50232E	SPRAY CONTROL VALVE'S ROD
11	Z 80222-8E	VALVE-BOOM PIPE*

ITEM	PN	PRODUCT
12	Z 80223	CENTER BOOM W/ STRAINER
13	Z 80222-0	AIRFOIL BOOMS
	Z 80222-0R	AIRFOIL BOOMS F/ ROTARY ATOMIZERS
14	Z 80240	3" LEFT HAND LOADER VALVE (Pag. 38)
15	Z 80243	3" RIGHT HAND LOADER VALVE (Pag. 38)
16	Z 80208	GATE BOX (Pag. 54)
17	Z 80222-2	BOOM HANGER
18	Z 80223-05	CENTER BOOM MOUNT
19	Z 00006I	3" FEMALE/HOSE COUPLER (STAINLESS STEEL)
20	Z 50205E	3" BUTTERFLY SHUT-OFF VALVE (Pag. 39)
	Z 40205S	3" SHUT-OFF VALVE W/ STAINLESS BALL (Pag. 39)
	Z 40203E	3" MALE FLANGE

*Original model, without flow meter. For airplanes with GPS, please indicate the type of equipment.



Spray Pump
(AT402/AT502)
Z 50230E
(Pag. 24)



Spray Pump
(AT602/AT802)
Z 80230EN
(Pag. 25)



Spray Pump's Bottom Mount
(AT402/AT502/AT602/AT802)
Z 40231E



Spray Pump's Upper Mount
(AT402/AT502/AT602/AT802)
Z 40231ES



Right Hand Loader Valve
(AT402/AT502/AT602)
2": Z 40243
3": Z 40243S (Pag. 36)



Left Hand Loader Valve
(AT402/AT502/AT602)
2": Z 40240
3": Z 40240S (Pag. 36)



3" Left Hand Loader Valve
(AT802)
Z 80240
(Pag. 38)



3" Right Hand Loader Valve
(AT802)
Z 80243
(Pag. 38)



3" Shut-Off Valve - Butterfly
(AT402/AT502/AT602/AT802)
Z 50205E
(Pag. 39)



Spray Control Valve
(AT402/AT502)
Z 40242E
(Pag. 37)



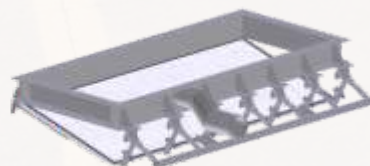
Spray Control Valve w/Through Shaft
(AT 402/AT 502)
Z 50242E
(Pag. 37)



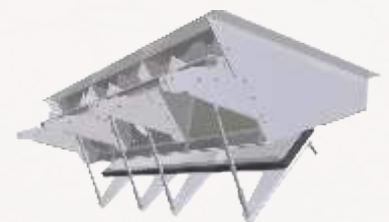
Spray Control Valve
(AT602/AT802)
Z 80242E
(Pag. 38)



Hydraulic Fire Gate Boxes
AT 402 and AT 502: Z 40208H
AT 602 and AT 802: Z 80208H
(Pag. 52)



Manual Fire Gate Boxes
AT 402 and AT 502: Z 40208I
AT 602 and AT 802: Z 80208I
(Pag. 53)



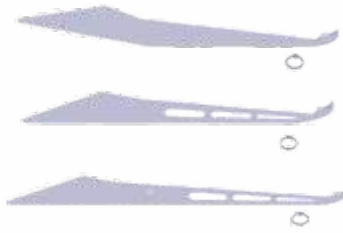
Gate Boxes
AT 402 and AT 502: Z 40208
AT 602 and AT 802: Z 80208
(Pag. 54)



Airfoil Booms*

AT402 and AT502: Z 40222-0
 AT602: Z 60222-0
 AT802: Z 80222-0

*f/ rotary atomizers, add R to the end of the PN



Boom Hanger*

AT402: Z 40222-2
 AT502 and AT602: Z 50222-2
 AT802: Z 80222-2

*f/ higher position, add BA to the end of the PN
 f/ lower position, add BB to the end of the PN



Spray Control Valve's Rod

AT402: Z 40232E
 AT502/AT602/AT802: Z 50232E



Center Boom w/ Strainer

AT402: Z 40223
 AT502: Z 50223 ou Z 50223S
 AT602: Z 60223
 AT802: Z 80223



Pump-Valve Pipe

AT402/AT502: Z 40211E
 AT602: Z 60211E
 AT802: Z 80211E



Pump-Valve Pipe w/ Flowmeter Strainer

AT402/AT502: Z 40211EF
 AT602: Z 60211EF
 AT802: Z 80211EF



Valve-Boom Pipe*

AT402/AT502: Z 50222-8E
 AT602: Z 60222-8E
 At802: Z 80222-8E

*Original model, without flowmeter. For airplanes with GPS, please indicate the type of equipment.



Loader Pipes*

AT402: Z 40213E-01; Z 40213E-02; Z 40213E-01DE
 AT502: Z 50213E-01; Z 50213E-02; Z 50213E-01DE
 AT602: Z 60213E-01; Z 60213E-01DE
 AT802: Z 80213E-01; Z 80213E-02; Z 80213E-01DE

*Zanoni offer two kinds of load systems: the single supply (in only one side of the aircraft) and the dual supply (on both sides).



3" Hopper-Pump Pipe (AT802) Z 80202E



3" Hopper-Pump Pipe (AT402/AT502) Z 40202E



3" Female /Hose Coupler, Stainless (AT402/AT502) Z 40204E



3" Flanges AT402/AT502: Z 40201E AT402/AT502/AT602/AT802: Z 40203E AT802: Z 80201E

SPRAY SYSTEM
THRUSH 510



ITEM	PN	PRODUCT
1	Z 51030EN	SPRAY PUMP (Pag. 26)
2	Z 40231E	SPRAY PUMP'S BOTTOM MOUNT
3	Z 40231ES	SPRAY PUMP'S UPPER MOUNT
4	Z 00006I	3" FEMALE/HOSE COUPLER (STAINLESS STEEL)
5	Z 50205E	3" SHUT-OFF VALVE (Pag. 39)
6	Z 51003E	3" FLANGE
7	Z 51011E	PUMP-VALVE PIPE
8	Z 51042E	SPRAY CONTROL VALVE (Pag. 40)
9	Z 51002E	SPRAY CONTROL VALVE'S FLANGE

ITEM	PN	PRODUCT
10	Z 51008	GATE BOX (Pag. 54)
11	Z 51022-8E	VALVE-BOOM PIPE*
12	Z 00115 Z 51023	70X200MM LINE STRAINER (Pag. 62) + CENTER BOOM**
	Z 51023F	CENTER BOOM W/ STRAINER**
13	Z 51040S	3" LEFT HAND LOADER VALVE (Pag. 40)
14	Z 51022-2-02	SMALLER BOOM HANGER
15	Z 51022-2-01	GREATER BOOM HANGER
16	Z 51022-0	AIRFOIL BOOMS
	Z 51022-0R	AIRFOIL BOOMS F/ ROTARY ATOMIZERS

*Original model, without flow meter. For airplanes with GPS, please indicate the type of equipment.

** Zanoni manufactures the center boom with strainer or the option which the strainer comes before the center boom.



70X200mm Line Strainer
Z 00115
(Pag. 62)



Gate Box
Z 51008
(Pag. 54)



Airfoil Booms
Z 51022-0



Center Boom
Z 51023



Center Boom w/ Strainer
Z 51023F



Spray Pump
Z 51030EN
(Pag. 26)



Spray Control Valve
Z 51042E
(Pag. 40)



3" Left Hand Loader Valve
Z 51040S
(Pag. 40)



Spray Control Valve's
Flange
Z 51002E



3" Male Flange
Z 51003E



Pump-Valve Pipe
Z 51011E



Valve-Boom Pipe without
strainer
Z 51022-8E



Valve-Boom Pipe w/
Flowmeter Strainer
Z 51022E-AG



Greater Boom Hanger
Z 51022-2-01



Smaller Boom Hanger
Z 51022-2-02

SPRAY PUMPS



ANONI[®]
EQUIPAMENTOS





ANONI[®]
EQUIPAMENTOS

SPRAY PUMPS

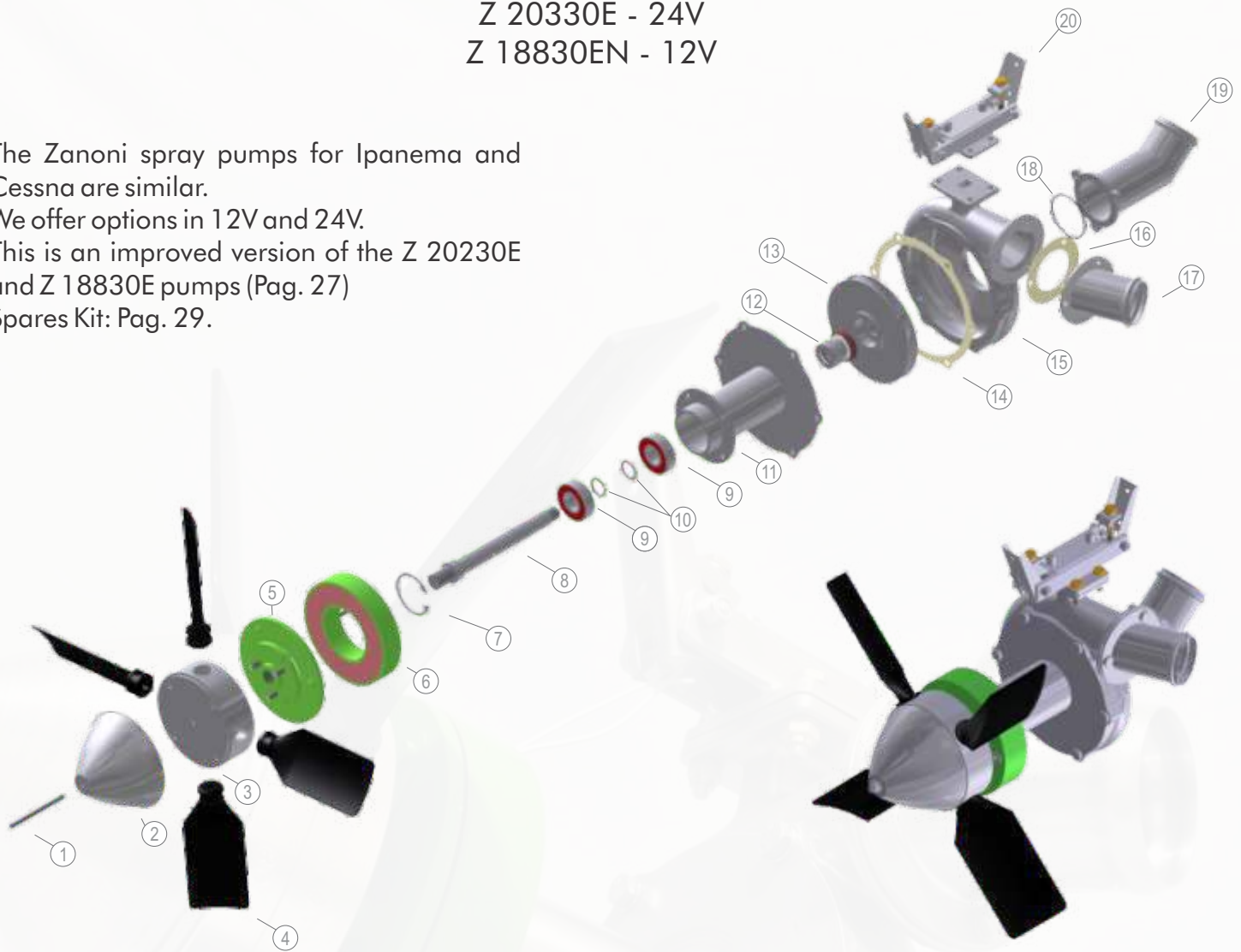
At the time when many aircrafts were still equipped with hydraulic and/or aluminum pumps, Zanoni Equipamentos began to develop spray pumps for ag aircraft, and launched what is now one of the company's flagships, the stainless steel spray pump.

Zanoni pumps, designed for various brands of agricultural aircraft, are characterized by their unmatched durability and power. With wide market acceptance and more than a thousand of them in operation in the world, the product's differentials are the quality of its parts, the ease and accessibility of repairs and a performance that guarantees to the pilot the necessary strength for any job. Another characteristic highly praised by operators is the quality of its brakes, with a long service life.

Seeking to improve equipment according to the suggestions received from our partners, the new pumps now have an even more resistant shaft and are manufactured entirely in stainless steel, including the bearing housing and all internal parts. In addition, the traditional seal has been replaced by one in tungsten and silicon carbide, resulting from a long period of research to offer the most resistant material to the aggressiveness and abrasiveness of agrochemicals.

Z 20330E - 24V
Z 18830EN - 12V

The Zanoni spray pumps for Ipanema and Cessna are similar.
We offer options in 12V and 24V.
This is an improved version of the Z 20230E and Z 18830E pumps (Pag. 27)
Spares Kit: Pag. 29.

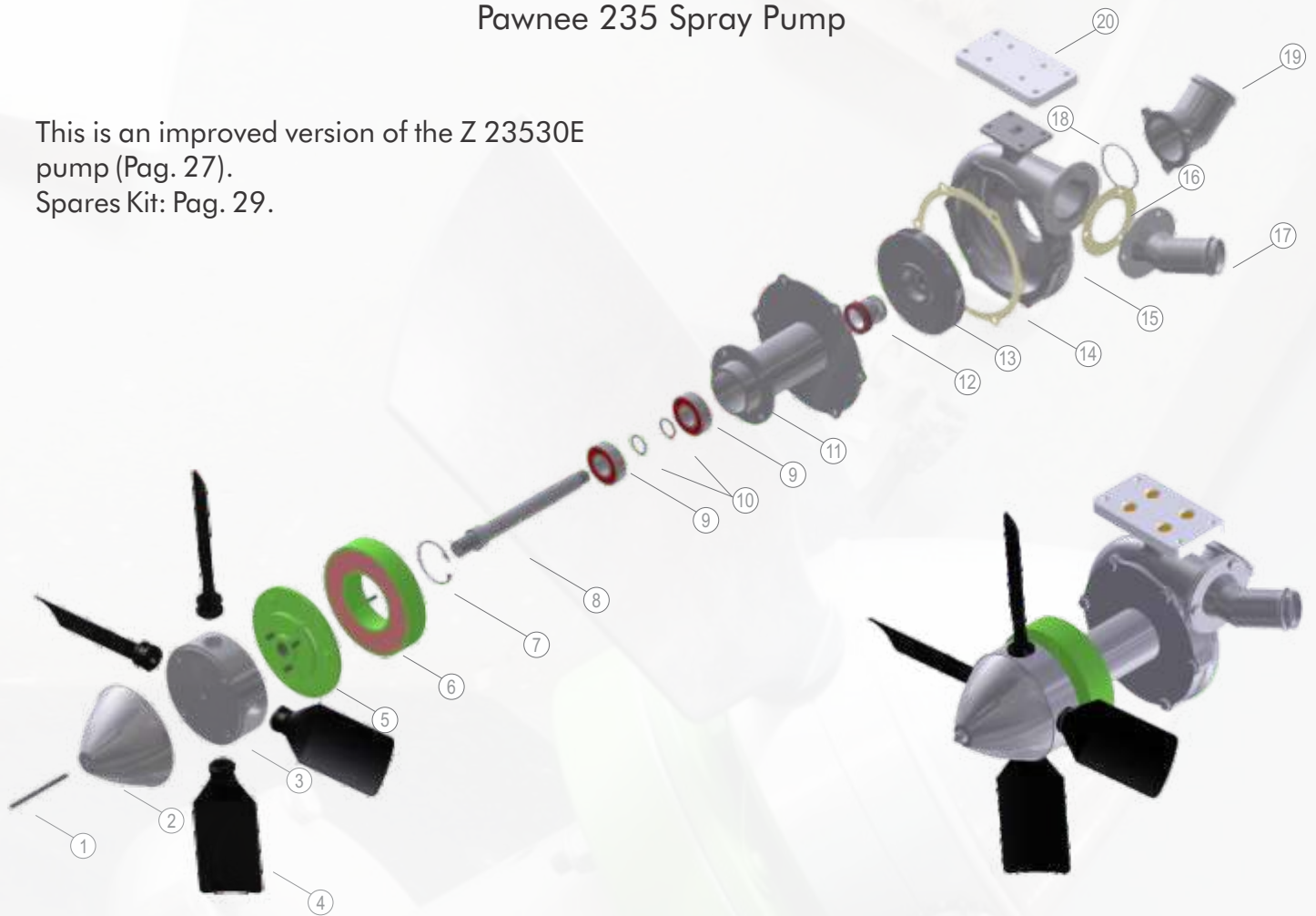


ITEM	PN	PRODUCT
1	Z 20230E-09	SPINNING SCREW
2	Z 20230E-07	SPINNER
3	Z 20230E-03	BLADE SUPPORT
4	Z 20230E-03-03N	FAN BLADES (15CM)
5	Z 20230E-04-02	BRAKE DISK
6	Z 18830E-04-01-12V	12V ELECTRIC BRAKE
	Z 20230E-04-01-24V	24V ELECTRIC BRAKE
7	Z 20230E-19	SNAP RING I47
8	Z 20230E-06	SHAFT
9	Z 20230E-10	BEARING 6204
10	Z 20230E-12	SNAP RING E20

ITEM	PN	PRODUCT
11	Z 20330E-01	BEARING HOUSING
12	Z 20230E-11	¾" SEAL (GRAPHITE AND CERAMICS)
	Z 00231M-17	¾" SEAL - TUNGSTEN AND SILICON CARBIDE
13	Z 20330E-05	IMPELLER
14	Z 20330E-21	GASKET
15	Z 20330E-02	IMPELLER HOUSING
16	Z 20230E-24	GASKET
17	Z 20230E-02-06	OUTLET
18	Z 20330E-02-03	O'RING 140
19	Z 20330E-02-02	INLET
20	Z 20330E-20	PUMP MOUNT

Z 23530EN
Pawnee 235 Spray Pump

This is an improved version of the Z 23530E pump (Pag. 27).
Spares Kit: Pag. 29.

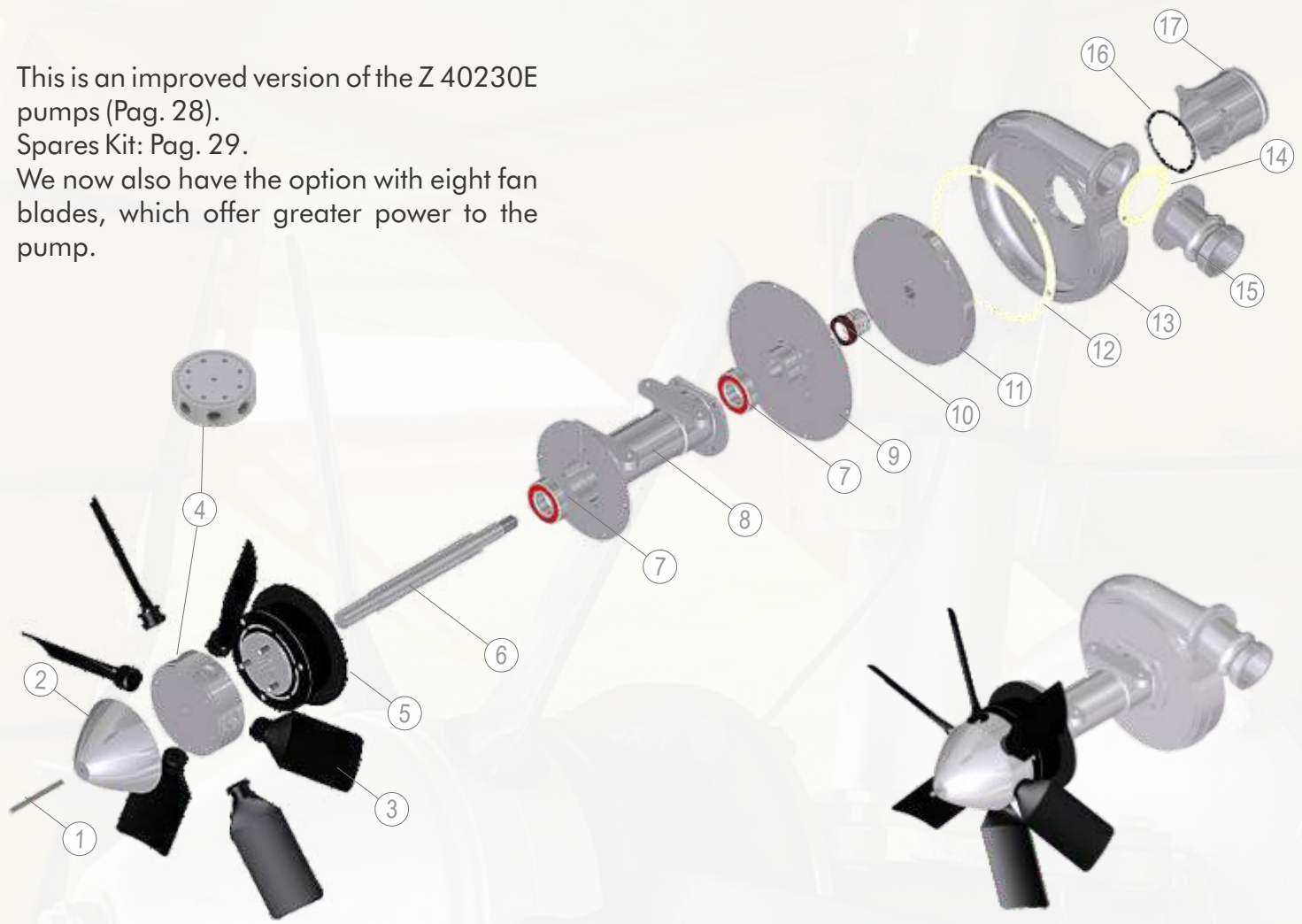


ITEM	PN	PRODUCT
1	Z 20230E-09	SPINNING SCREW
2	Z 20230E-07	SPINNER
3	Z 20230E-03	BLADE SUPPORT
4	Z 20230E-03-03N	FAN BLADES (15CM)
5	Z 20230E-04-02	BRAKE DISK
6	Z 18830E-04-01-12V	12V ELECTRIC BRAKE
	Z 20230E-04-01-24V	24V ELECTRIC BRAKE
7	Z 20230E-19	SNAP RING I47
8	Z 20230E-06	SHAFT
9	Z 20230E-10	BEARING 6204
10	Z 20230E-12	SNAP RING E20

ITEM	PN	PRODUCT
11	Z 20330E-01	BEARING HOUSING
12	Z 20230E-11	¾" SEAL (GRAPHITE AND CERAMICS)
	Z 00231M-17	¾" SEAL - TUNGSTEN AND SILICON CARBIDE
13	Z 20330E-05	IMPELLER
14	Z 20330E-21	GASKET
15	Z 20330E-02	IMPELLER HOUSING
16	Z 20230E-24	GASKET
17	Z 23530E-02-06	OUTLET
18	Z 20330E-02-03	O'RING 140
19	Z 23530EN-02-02	INLET
20	Z 23530EN-20	PUMP MOUNT

Z 50230E Spray Pump for AT 402 e AT 502

This is an improved version of the Z 40230E pumps (Pag. 28).
Spares Kit: Pag. 29.
We now also have the option with eight fan blades, which offer greater power to the pump.



ITEM	PN	PRODUCT
1	Z 20230E-09	SPINNING SCREW
2	Z 20230E-07	SPINNER
3	Z 20230E-03-03N	FAN BLADES
4	Z 40230E-03	BLADE SUPPORT (6 FAN BLADES)
	Z 80230E-03	BLADE SUPPORT (8 FAN BLADES)
5	Z 80230E-04	24V BRAKE ASSEMBLY*
	Z 80230ES-04	24V BRAKE ASSEMBLY*
6	Z 40230E-06	SPLINED SHAFT*
	Z 50230E-06	SQUARE SHAFT*
7	Z 40230E-10	BEARING 6205
8	Z 50230E-01	BEARING HOUSING

ITEM	PN	PRODUCT
9	Z 50230E-07	SEAL CUP ASSY
10	Z 20230E-11	SEAL 3/4" (GRAPHITE AND CERAMICS)**
	Z 00231M-17	SEAL 3/4" (TUNGSTEN AND SILICON CARBIDE)**
11	Z 50230E-05	IMPELLER
12	Z 50230E-21	GASKET
13	Z 50230E-02	IMPELLER HOUSING
14	Z 20230E-24	GASKET
15	Z 40230E-02-06	OUTLET
16	Z 50230E-20	O'RING 151
17	Z 50230E-02-02	INLET

*The pumps produced from 2020 onwards have a stronger, square-shaped shaft. For these models, the brake to be used is the Z 80230ES-04.

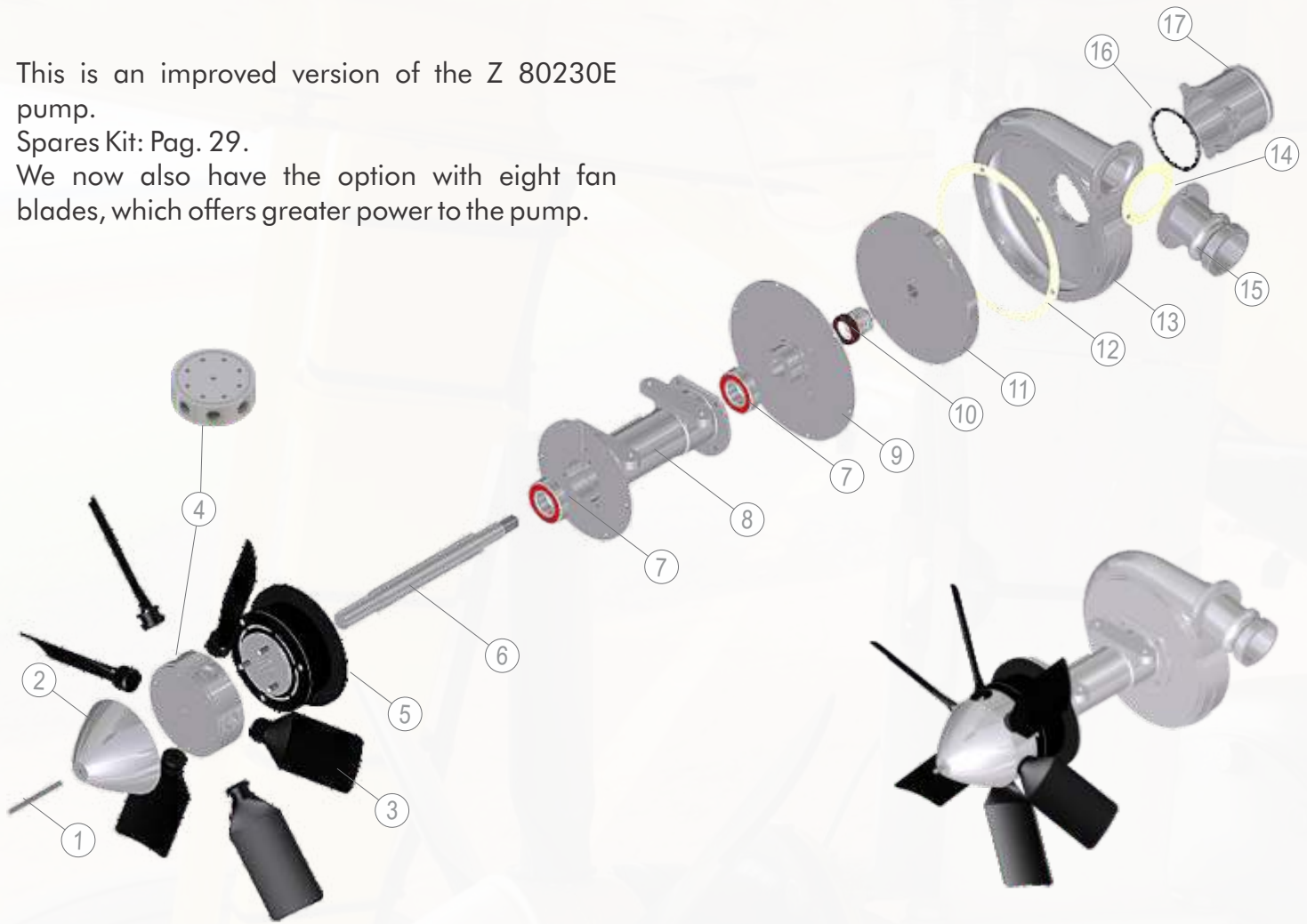
** The standard pumps come with a tungsten seal, which is more resistant to corrosion, but traditional seals can also be used.

Z 80230EN Spray Pump for AT 602 and AT 802

This is an improved version of the Z 80230E pump.

Spares Kit: Pag. 29.

We now also have the option with eight fan blades, which offers greater power to the pump.



ITEM	PN	PRODUCT
1	Z 20230E-09	SPINNING SCREW
2	Z 20230E-07	SPINNER
3	Z 20230E-03-03N	FAN BLADES
4	Z 80230E-03	BLADE SUPPORT (8 FAN BLADES)
	Z 40230E-03	BLADE SUPPORT (6 FAN BLADES)
5	Z 80230E-04	24V BRAKE ASSEMBLY*
	Z 80230ES-04	24V BRAKE ASSEMBLY*
6	Z 40230E-06	SPLINED SHAFT*
	Z 50230E-06	SQUARE SHAFT*
7	Z 40230E-10	BEARING 6205
8	Z 50230E-01	BEARING HOUSING

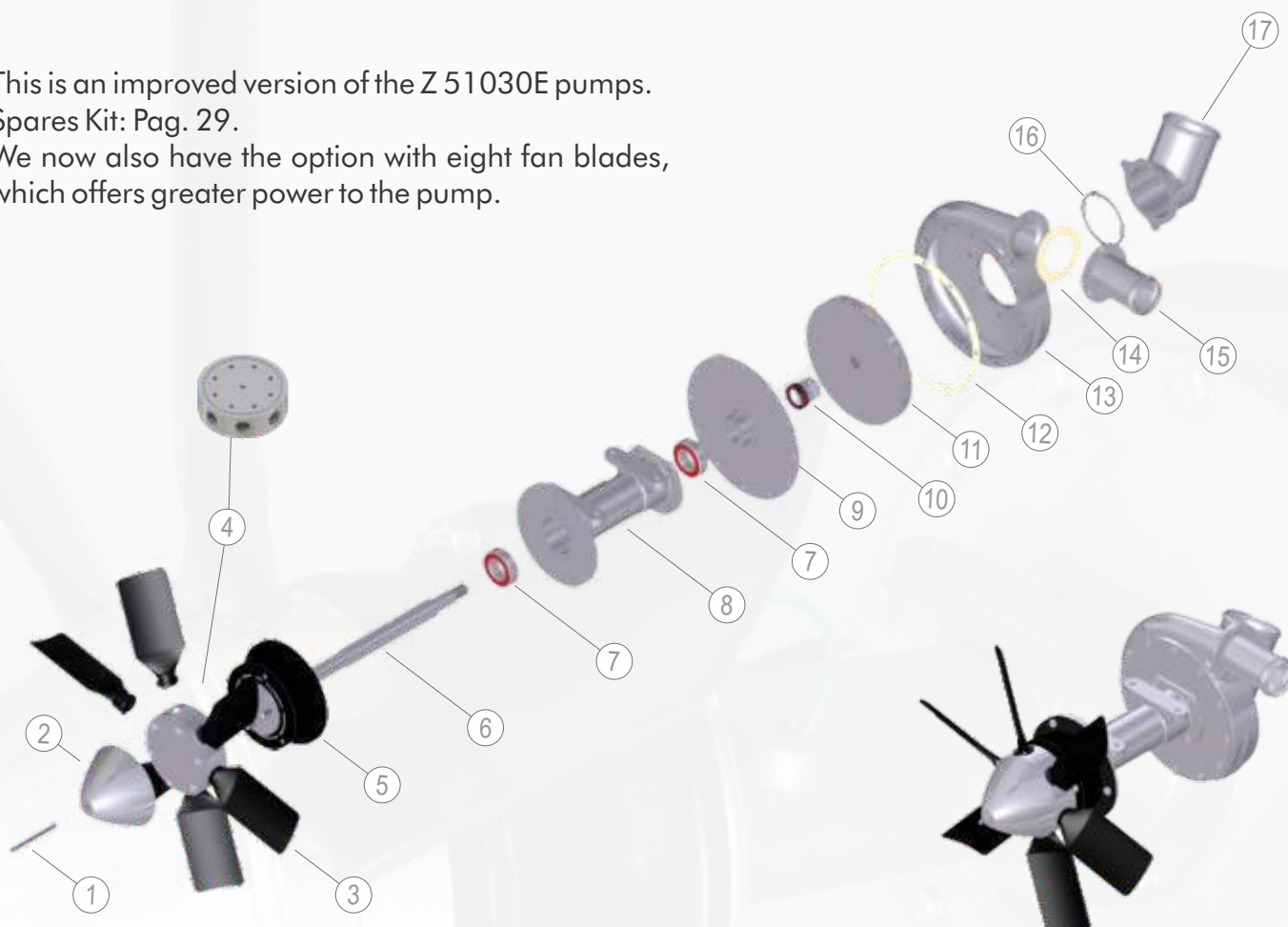
ITEM	PN	PRODUCT
9	Z 50230E-07	SEAL CUP ASSY
10	Z 20230E-11	SEAL 3/4" (GRAPHITE AND CERAMICS)
	Z 00231M-17	SEAL 3/4" (TUNGSTEN AND SILICON CARBIDE)
11	Z 50230E-05	IMPELLER
12	Z 50230E-21	GASKET
13	Z 50230E-02	IMPELLER HOUSING
14	Z 20230E-24	GASKET
15	Z 80230E-02-06	OUTLET
16	Z 50230E-20	O'RING 151
17	Z 50230E-02-02	INLET

*The pumps produced from 2020 onwards have a stronger, square-shaped shaft. For these models, the brake to be used is the Z 80230ES-04.

** The standard pumps come with a tungsten seal, which is more resistant to corrosion, but traditional seals can also be used.

Z 51030EN Spray Pump for Thrush 510

This is an improved version of the Z 51030E pumps.
Spares Kit: Pag. 29.
We now also have the option with eight fan blades,
which offers greater power to the pump.



ITEM	PN	PRODUCT
1	Z 20230E-09	SPINNING SCREW
2	Z 20230E-07	SPINNER
3	Z 20230E-03-03N	FAN BLADES
4	Z 40230E-03	BLADE SUPPORT (6 FAN BLADES)
	Z 80230E-03	BLADE SUPPORT (8 FAN BLADES)
5	Z 80230E-04	24V BRAKE ASSEMBLY*
	Z 80230ES-04	24V BRAKE ASSEMBLY*
6	Z 40230E-06	SPLINED SHAFT*
	Z 50230E-06	SQUARE SHAFT*
7	Z 40230E-10	BEARING 6205
8	Z 50230E-01	BEARING HOUSING

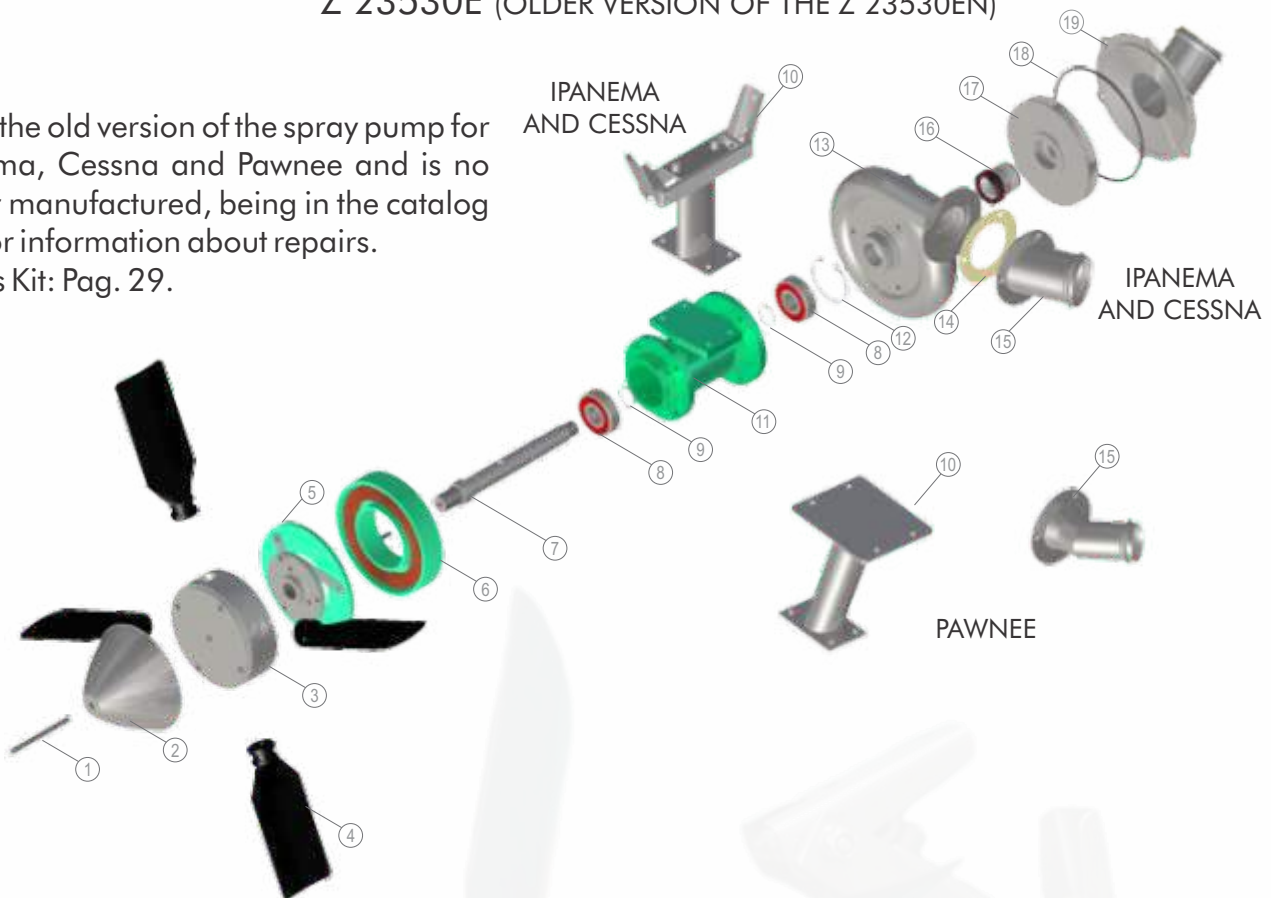
ITEM	PN	PRODUCT
9	Z 50230E-07	SEAL CUP ASSY
10	Z 20230E-11	SEAL 3/4" (GRAPHITE AND CERAMICS)
	Z 00231M-17	SEAL 3/4" (TUNGSTEN AND SILICON CARBIDE)
11	Z 50230E-05	IMPELLER
12	Z 50230E-21	GASKET
13	Z 50230E-02	IMPELLER HOUSING
14	Z 20230E-24	GASKET
15	Z 51030E-02-06	OUTLET
16	Z 50230E-20	O´RING 151
17	Z 51030EN-02-01	INLET

*The pumps produced from 2020 onwards have a stronger, square-shaped shaft. For these models, the brake to be used is the Z 80230ES-04.

** The standard pumps come with a tungsten seal, which is more resistant to corrosion, but traditional seals can also be used.

Z 20230E (OLDER VERSION OF THE Z 20230E)
 Z 18830E (OLDER VERSION OF THE Z 18830E)
 Z 23530E (OLDER VERSION OF THE Z 23530E)

This is the old version of the spray pump for Ipanema, Cessna and Pawnee and is no longer manufactured, being in the catalog only for information about repairs.
 Spares Kit: Pag. 29.



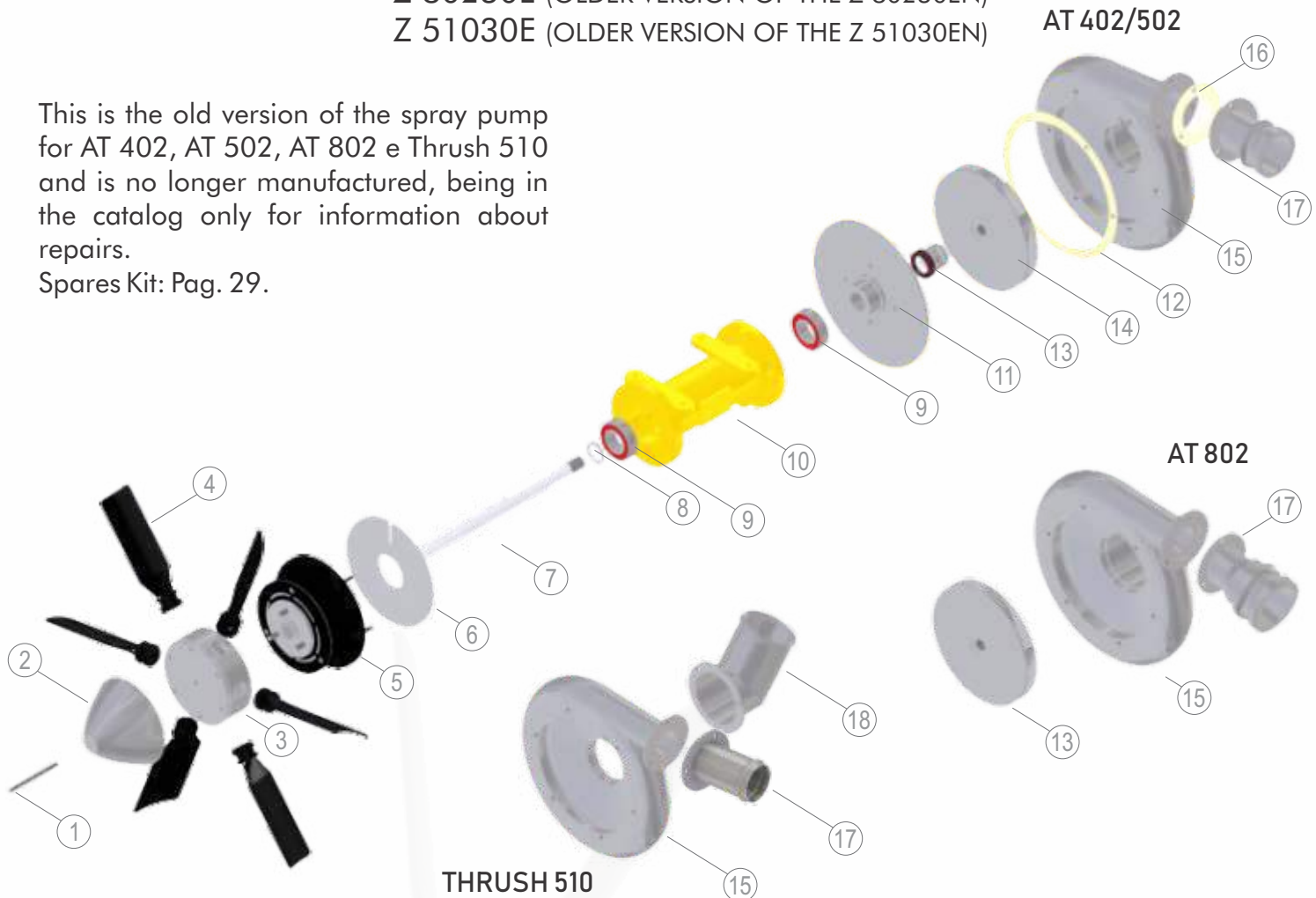
ITEM	PN	PRODUCT
1	Z 20230E-09	SPINNING SCREW
2	Z 20230E-07	SPINNER
3	Z 20230E-03	BLADE SUPPORT
4	Z 20230E-03-03N	FAN BLADES (15CM)
5	Z 20230E-04-02	BRAKE DISK
6	Z 18830E-04-01-12V	12V ELECTRIC BRAKE
	Z 20230E-04-01-24V	24V ELECTRIC BRAKE
7	Z 20230E-06	SHAFT
8	Z 20230E-10	BEARING 6204
9	Z 20230E-12	SNAP RING E20
10	Z 20230E-20	PUMP MOUNT (IPANEMA / CESSNA)
	Z 23530E-20	PUMP MOUNT (PAWNEE)

ITEM	PN	PRODUCT
11	Z 20230E-01	BEARING HOUSING
12	Z 20230E-19	SNAP RING I- 47
13	Z 20230E-02	IMPELLER HOUSING
14	Z 20230E-24	GASKET
15	Z 20230E-02-06	OUTLET (IPANEMA/ CESSNA)
	Z 23530E-02-06	OUTLET (PAWNEE)
16	Z 20230E-11	SEAL 3/4" (GRAPHITE AND CERAMICS)
	Z 00231M-17	SEAL 3/4" (TUNGSTEN AND SILICON CARBIDE)*
17	Z 20230E-05	IMPELLER
18	Z 20230E-21	O'RING 157
19	Z 20230E-08	INLET

* The new seal fits to the older versions of spray pumps.

Z 40230E (OLDER VERSION OF THE Z 50230E)
 Z 80230E (OLDER VERSION OF THE Z 80230EN)
 Z 51030E (OLDER VERSION OF THE Z 51030EN)

This is the old version of the spray pump for AT 402, AT 502, AT 802 e Thrush 510 and is no longer manufactured, being in the catalog only for information about repairs.
 Spares Kit: Pag. 29.



ITEM	PN	PRODUCT
1	Z 20230E-09	SPINNING SCREW
2	Z 20230E-07	SPINNER
3	Z 40230E-03	BLADE SUPPORT
4	Z 20230E-03-03N	FAN BLADES
5	Z 80230E-04	BRAKE ASSEMBLY
6	Z 80230E-04-01	BRAKE SUPPORT
7	Z 40230E-06	SHAFT
8	Z 40230E-12	SNAP RING E-25
9	Z 40230E-10	BEARING 6205
10	Z 40230E-01	BEARING HOUSING
11	Z 40230E-07	SEAL CUP ASSY
12	Z 40230E-21	GASKET

ITEM	PN	PRODUCT
13	Z 20230E-11	SEAL 3/4" (GRAPHITE AND CERAMICS)
	Z 00231M-17	SEAL 3/4" (TUNGSTEN AND SILICON CARBIDE)*
14	Z 40230E-05	IMPELLER (402/502/510)
	Z 80230E-05	IMPELLER (802)
15	Z 40230E-02	IMPELLER HOUSING (402/502)
	Z 51030E-02	IMPELLER HOUSING (510)
	Z 80230E-02	IMPELLER HOUSING (802)
16	Z 20230E-24	GASKET
17	Z 40230E-02-06	OUTLET (402/502)
	Z 51030E-02-06	OUTLET (510)
	Z 80230E-02-06	OUTLET (802)
18	Z 51030E-02-01	INLET (510)

* The new seal fits to the older versions of spray pumps.

CESSNA/PAWNEE/IPANEMA



**Brake Assembly
(Coil + Disk)**
Z 20230E-04 (24 V)
Z 18830E-04 (12 V)



Brake Coil
Z 20230E-04-01-24V
Z 18830E-04-01-12V



Brake Disk
Z 20230E-04-02



**Spares Kit - Older
Version of Pumps**
Z 20230E-30*



**Spares Kit - Newer
Version of Pumps**
Z 20330E-30*



Fan Blades (15cm)
Z 20230E-03-03N

AIR TRACTOR / THRUSH



**Brake Assembly
(Coil + Disk)**
Splined Shaft: Z 80230E-04
Square Shaft: Z 80230ES-04



Brake Coil
Z 80230E-04-06-01



Brake Disk
Splined Shaft: Z 80230E-04-06-02
Square Shaft: Z 80230ES-04-06-02



**Spares Kit - Newer
Version of Pumps**
Z 50230E-30*



**Spares Kit - Older
Version of Pumps**
Z 40230E-30*



Fan Blades
Wide: Z 40230E-03-03N
15 cm: Z 20230E-03-03N

* For the spares kit with the tungsten seal, add the letter ST to the end of the PN.

VALVES



ANONI[®]
EQUIPAMENTOS





ANONI[®]
EQUIPAMENTOS

VALVES

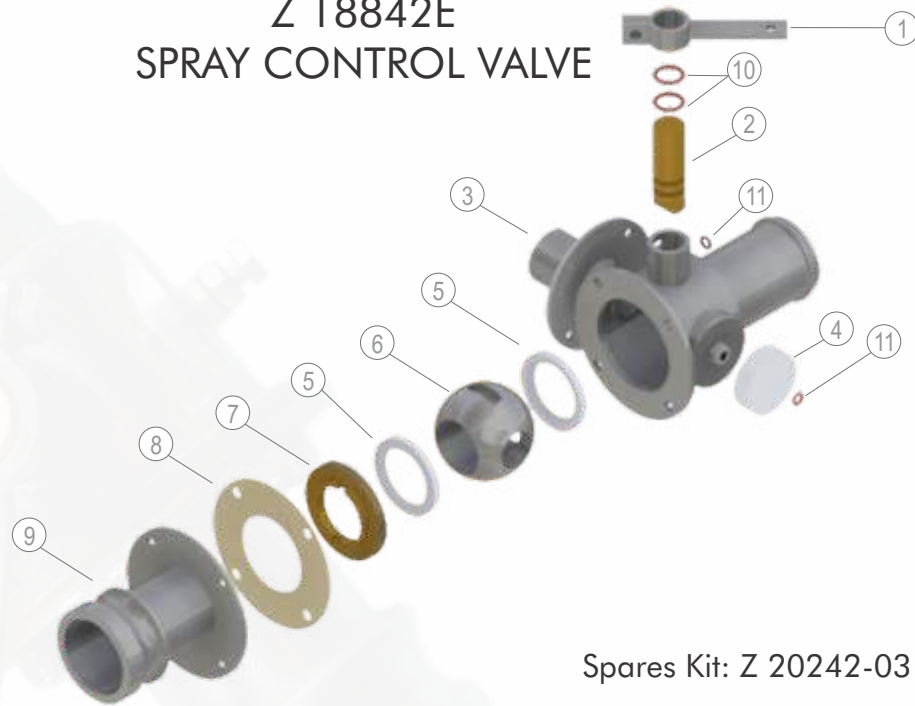
Zanoni Equipamentos has a wide range of valves for all types of aircraft, including spray control, shut-off, loader, flowmeter and directional valves. Produced in stainless steel in several designs and dimensions, this line of products has received great acceptance of the market for years due to the quality of its finish, high durability and easy repair.

As a result of the cooperation with AgNav, Zanoni Equipamentos has developed a line of valves for flowmeters, offering the equipment with the greatest resistance to corrosive products, which guarantees greater accuracy in the flow control. Zanoni's flowmeter valve model also allows the turbine to be easily removed for cleaning and inspection.

Another innovation designed by Zanoni is the electric spray control valve. After years of contact with ag pilots, who complained about the several health problems caused by the application work, it was felt the need to offer a product that would provide greater comfort to the operators, reducing repetition of the manual work.

Zanoni Equipamentos has also developed a version that has an emergency manual override, which allows that when there is any problem with the valve's engine, the pilot can continue the spraying manually without the need of dumping the agrochemical load.

Z 18842E SPRAY CONTROL VALVE

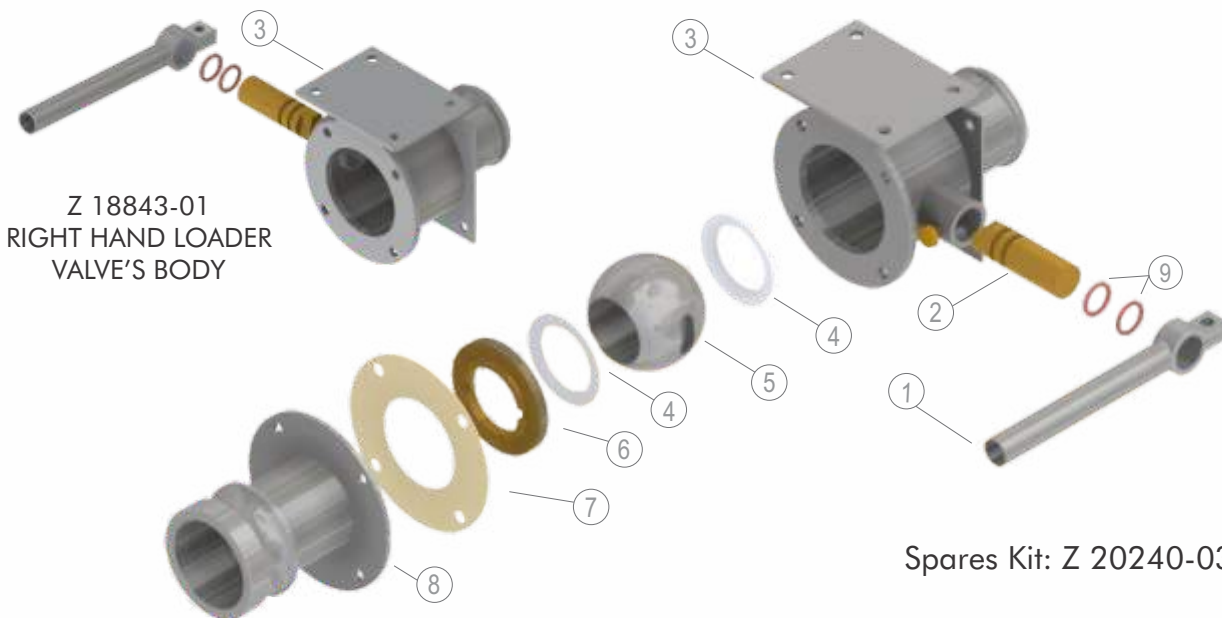


Spares Kit: Z 20242-03 (Pag. 44).

ITEM	PN	PRODUCT
1	Z 20242-07	STAINLESS HANDLE
2	Z 20242I-04	SHAFT
3	Z 18842E-01	VALVE BODY
4	Z 20242-03-03	SIDE SEAL (TEFLON)
5	Z 20242-03-02	MAIN SEAL (TEFLON)
6	Z 20242-03-01	61 MM STAINLESS BALL

ITEM	PN	PRODUCT
7	Z 20242-05	BRASS NUT
8	Z 20242-03-04	GASKET
9	Z 18842E-02	VALVE CAP
10	Z 20242-08	O'RING 2113
11	Z 20242-09	O'RING 2009

Z 18840 - 2" LEFT HAND LOADER VALVE Z 18843 - 2" RIGHT HAND LOADER VALVE



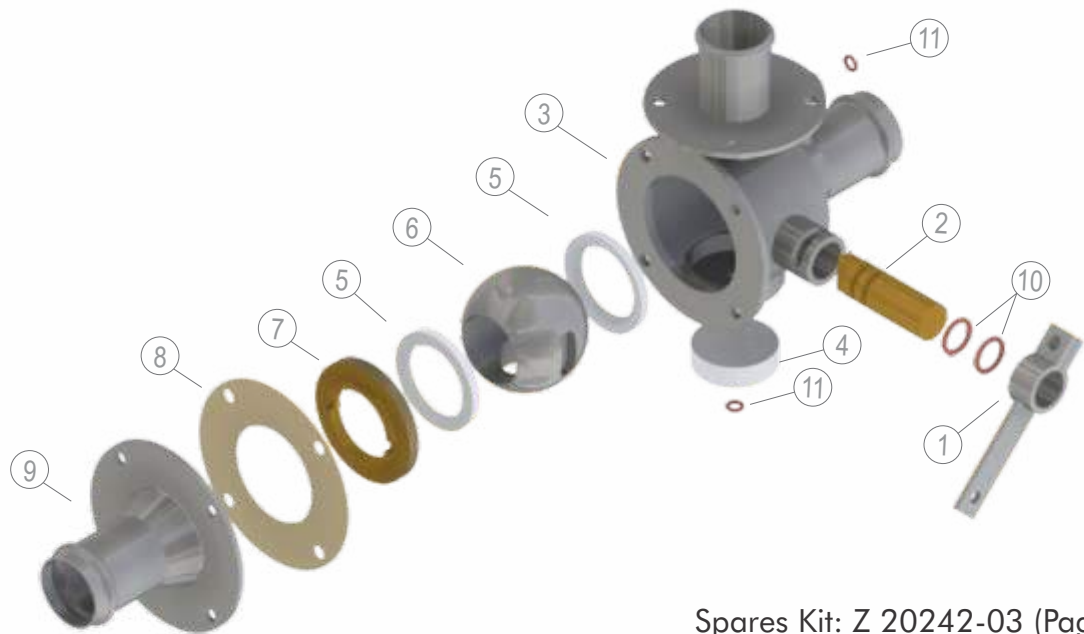
Z 18843-01
RIGHT HAND LOADER
VALVE'S BODY

Spares Kit: Z 20240-03 (Pag. 45).

ITEM	PN	PRODUCT
1	Z 20240-06	STAINLESS HANDLE
2	Z 20242I-04	SHAFT
3	Z 18840-01	LEFT HAND VALVE'S BODY
	Z 18843-01	RIGHT HAND VALVE'S BODY
4	Z 20242-03-02	MAIN SEAL (TEFLON)

ITEM	PN	PRODUCT
5	Z 20240-03-01	61 MM STAINLESS BALL
6	Z 20242-05	BRASS NUT
7	Z 20242-03-04	GASKET
8	Z 18842E-02	VALVE CAP
9	Z 20242-08	O'RING 2113

Z 23542E SPRAY CONTROL VALVE

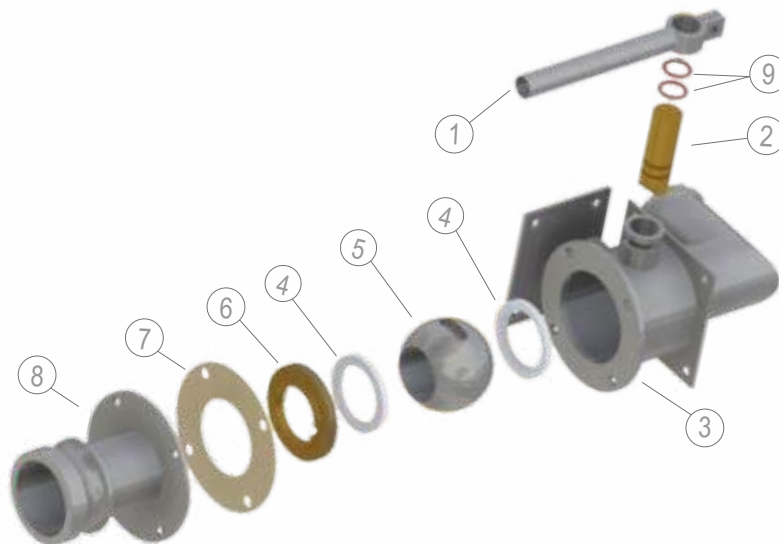


Spares Kit: Z 20242-03 (Pag. 44).

ITEM	PN	PRODUCT
1	Z 20242-07	STAINLESS HANDLE
2	Z 20242I-04	SHAFT
3	Z 23542E-01	VALVE BODY
4	Z 20242-03-03	SIDE SEAL (TEFLON)
5	Z 20242-03-02	MAIN SEAL (TEFLON)
6	Z 20242-03-01	61 MM STAINLESS BALL

ITEM	PN	PRODUCT
7	Z 20242-05	BRASS NUT
8	Z 20242-03-04	GASKET
9	Z 23542E-02	VALVE CAP
10	Z 20242-08	O'RING 2113
11	Z 20242-09	O'RING 2009

Z 23540 2" LEFT HAND LOADER VALVE

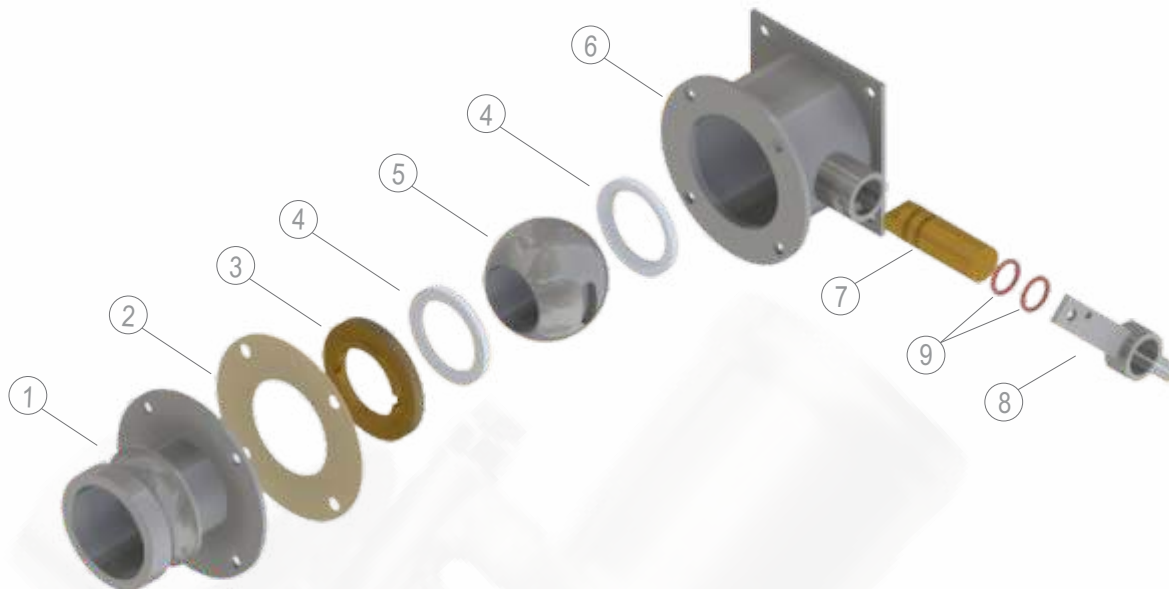


Spares Kit: Z 20240-03 (Pag. 45).

ITEM	PN	PRODUCT
1	Z 20240-06	STAINLESS HANDLE
2	Z 20242I-04	SHAFT
3	Z 23540-01	VALVE BODY
4	Z 20242-03-02	MAIN SEAL (TEFLON)
5	Z 20240-03-01	61 MM STAINLESS BALL

ITEM	PN	PRODUCT
6	Z 20242-05	BRASS NUT
7	Z 20242-03-04	GASKET
8	Z 18842E-02	VALVE CAP
9	Z 20242-08	O'RING 2113

Z 20205E SHUT-OFF VALVE

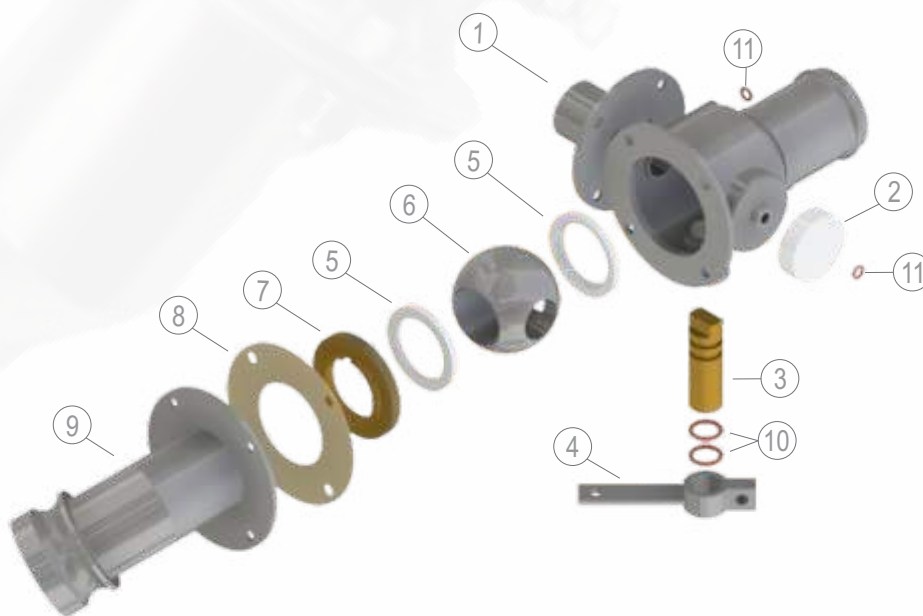


Spares Kit: Z 20240-03 (Pag. 45).

ITEM	PN	PRODUCT
1	Z 20240-02	VALVE CAP
2	Z 20242-03-04	GASKET
3	Z 20242-05	BRASS NUT
4	Z 20242-03-02	MAIN SEAL (TEFLON)
5	Z 20240-03-01	61 MM STAINLESS BALL

ITEM	PN	PRODUCT
6	Z 20205E-01	VALVE BODY
7	Z 20242I-04	SHAFT
8	Z 20242-07	STAINLESS HANDLE
9	Z 20242-08	O'RING 2113

Z 20242E SPRAY CONTROL VALVE



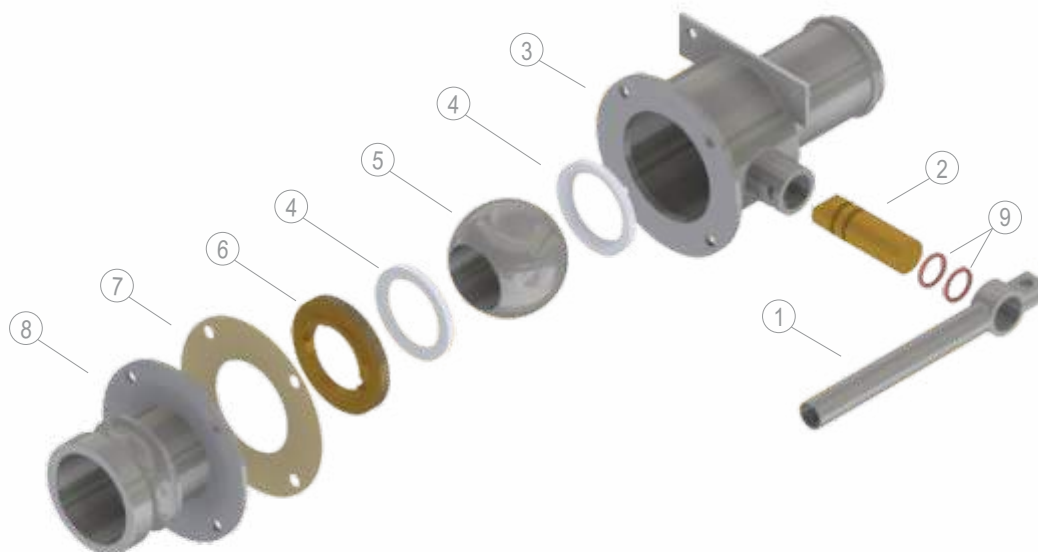
Spares Kit: Z 20242-03 (Pag. 44).

ITEM	PN	PRODUCT
1	Z 20242E-01	VALVE BODY
2	Z 20242-03-03	SIDE SEAL (TEFLON)
3	Z 20242I-04	SHAFT
4	Z 20242-07	STAINLESS HANDLE
5	Z 20242-03-02	MAIN SEAL (TEFLON)
6	Z 20242-03-01	61 MM STAINLESS BALL

ITEM	PN	PRODUCT
7	Z 20242-05	BRASS NUT
8	Z 20242-03-04	GASKET
9	Z 20242E-02	VALVE CAP
10	Z 20242-08	O'RING 2113
11	Z 20242-09	O'RING 2009

Z 20240

2" LEFT HAND LOADER VALVE



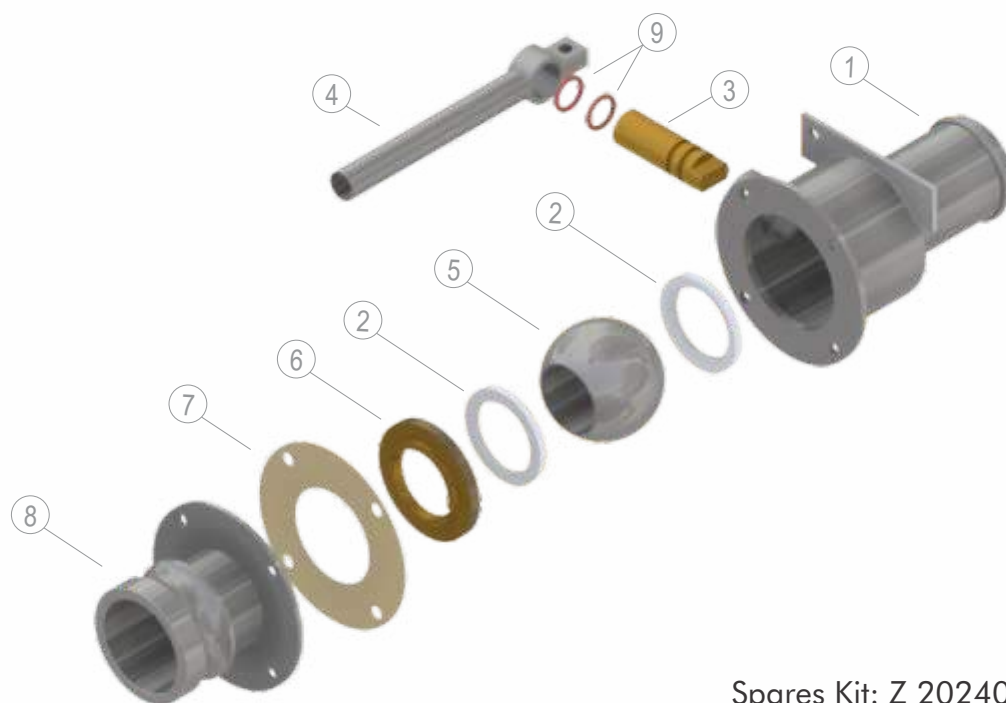
Spares Kit: Z 20240-03 (Pag. 45).

ITEM	PN	PRODUCT
1	Z 20240-06	STAINLESS HANDLE
2	Z 20242I-04	SHAFT
3	Z 20240-01	VALVE BODY
4	Z 20242-03-02	MAIN SEAL (TEFLON)
5	Z 20240-03-01	61 MM STAINLESS BALL

ITEM	PN	PRODUCT
6	Z 20242-05	BRASS NUT
7	Z 20242-03-04	GASKET
8	Z 20240-02	VALVE CAP
9	Z 20242-08	O'RING 2113

Z 20243

2" RIGHT HAND LOADER VALVE

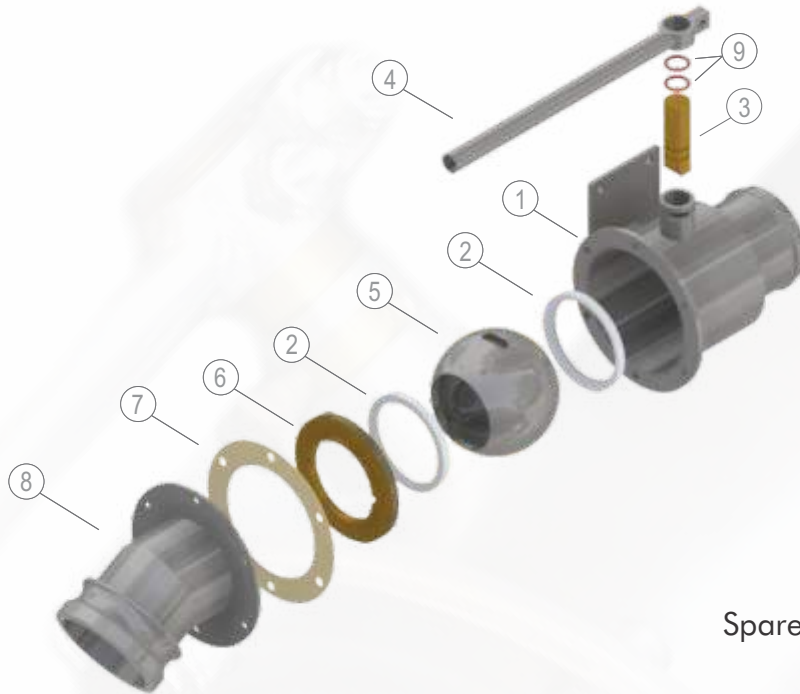


Spares Kit: Z 20240-03 (Pag. 45).

ITEM	PN	PRODUCT
1	Z 20243-01	VALVE BODY
2	Z 20242-03-02	MAIN SEAL (TEFLON)
3	Z 20242I-04	SHAFT
4	Z 20240-06	STAINLESS HANDLE
5	Z 20240-03-01	61 MM STAINLESS BALL

ITEM	PN	PRODUCT
6	Z 20242-05	BRASS NUT
7	Z 20242-03-04	GASKET
8	Z 20240-02	VALVE CAP
9	Z 20242-08	O'RING 2113

Z 40240S 3" LEFT HAND LOADER VALVE FOR AT402, AT502, AND AT602

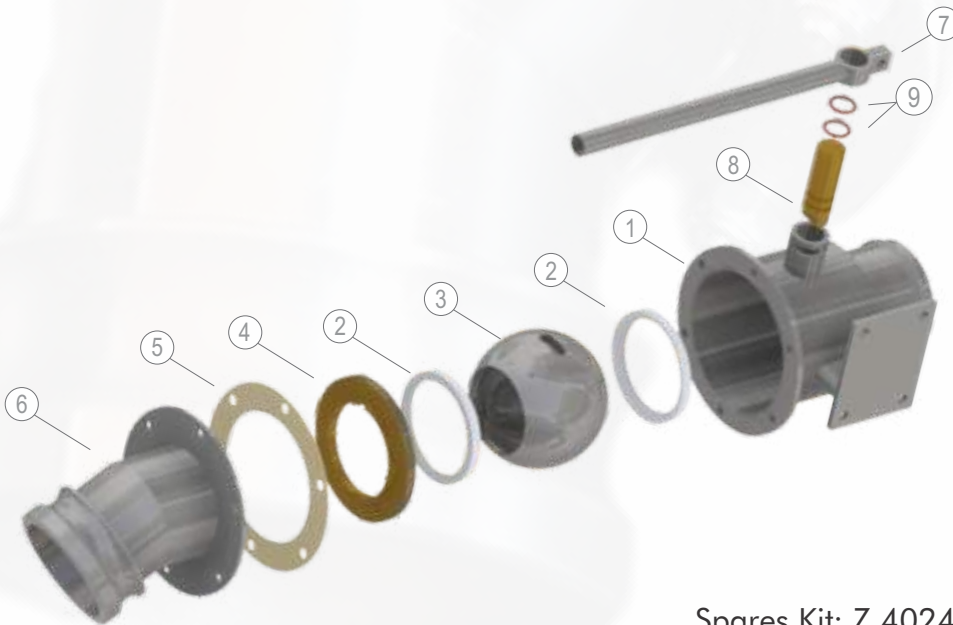


Spares Kit: Z 40240S-03(Pag. 45).

ITEM	PN	PRODUCT
1	Z 40240S-01	VALVE BODY
2	Z 40240S-03-02	MAIN SEAL (TEFLON)
3	Z 20242I-04	SHAFT
4	Z 00121-07	STAINLESS HANDLE
5	Z 40240S-03-01	94 MM STAINLESS BALL

ITEM	PN	PRODUCT
6	Z 40240S-05	BRASS NUT
7	Z 40240S-03-04	GASKET
8	Z 40240S-02	VALVE CAP
9	Z 20242-08	O'RING 2113

Z 40243S 3" RIGHT HAND LOADER VALVE FOR AT402, AT502, AND AT602

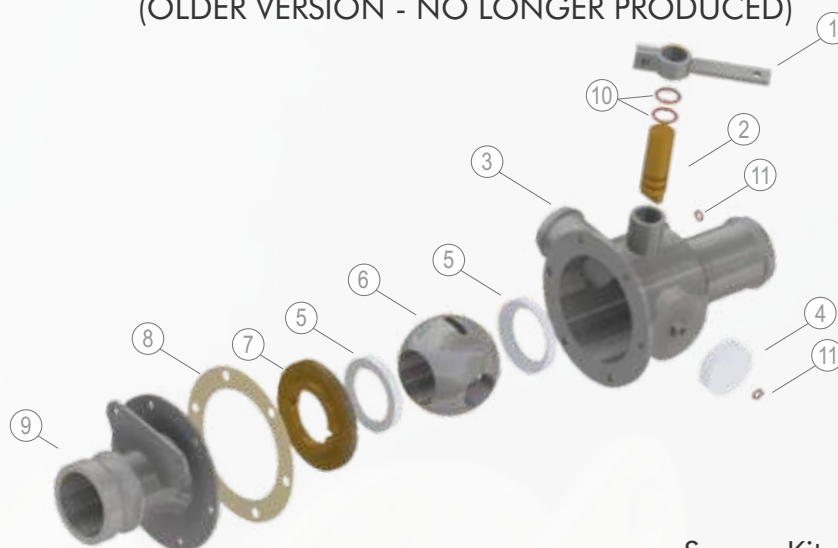


Spares Kit: Z 40240S-03 (Pag. 44).

ITEM	PN	PRODUCT
1	Z 40243S-01	VALVE BODY
2	Z 40240S-03-02	MAIN SEAL (TEFLON)
3	Z 40240S-03-01	94 MM STAINLESS BALL
4	Z 40240S-05	BRASS NUT
5	Z 40240S-03-04	GASKET

ITEM	PN	PRODUCT
6	Z 40240S-02	VALVE CAP
7	Z 00121-07	STAINLESS HANDLE
8	Z 20242I-04	SHAFT
9	Z 20242-08	O'RING 2113

Z 40242E
SPRAY CONTROL VALVE W/ CONVENTIONAL SHAFT
FOR AT402 AND AT502
(OLDER VERSION - NO LONGER PRODUCED)



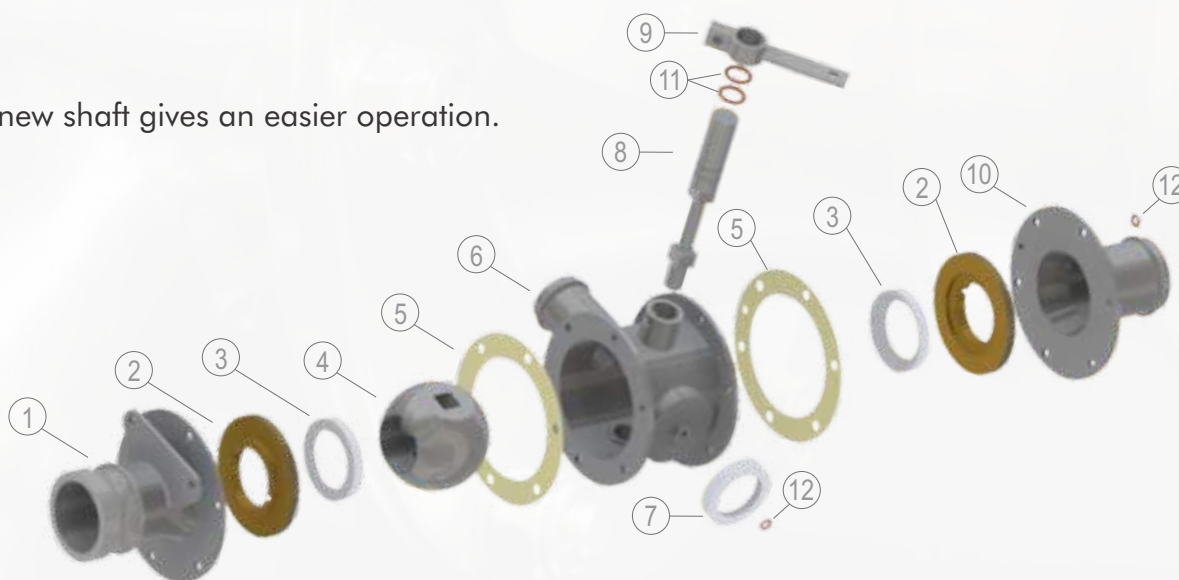
Spares Kit: Z 40242E-03 (Pag. 44).

ITE	PN	PRODUCT
1	Z 20242-07	STAINLESS HANDLE
2	Z 40242EI-04	SHAFT
3	Z 40242E-01	VALVE BODY
4	Z 40242E-03-03	SIDE SEAL (TEFLON)
5	Z 40242E-03-02	MAIN SEAL (TEFLON)
6	Z 40242E-03-01	75MM STAINLESS BALL

ITEM	PN	PRODUCT
7	Z 40242E-05	BRASS NUT
8	Z 00121-03-04	GASKET
9	Z 40242E-02	VALVE CAP
10	Z 20242-08	O'RING 2113
11	Z 20242-09	O'RING 2009

Z 50242E
SPRAY CONTROL VALVE W/ THROUGH SHAFT
FOR AT402 AND AT502

The new shaft gives an easier operation.

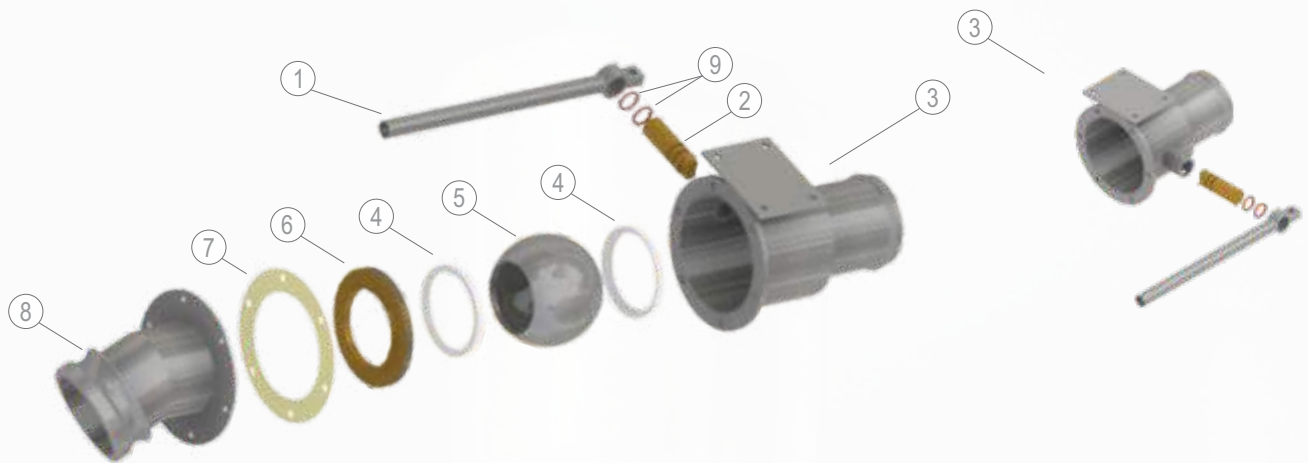


Spares Kit: Z 50242E-03 (Pag. 44).

ITEM	PN	PRODUCT
1	Z 50242E-02	VALVE CAP
2	Z 40242E-05	BRASS NUT
3	Z 40242E-03-02	MAIN SEAL (TEFLON)
4	Z 50242E-03-01	75MM STAINLESS BALL
5	Z 00121-03-04	GASKET
6	Z 50242E-01	VALVE BODY

ITEM	PN	PRODUCT
7	Z 40242E-03-03	SIDE SEAL (TEFLON)
8	Z 50242E-04	SHAFT
9	Z 20242-07	STAINLESS HANDLE
10	Z 50242E-08	VALVE OUTLET
11	Z 20242-08	O'RING 2113
12	Z 20242-09	O'RING 2009

Z 80240 - 3" LEFT HAND LOADER VALVE
Z 80243 - 3" RIGHT HAND LOADER VALVE

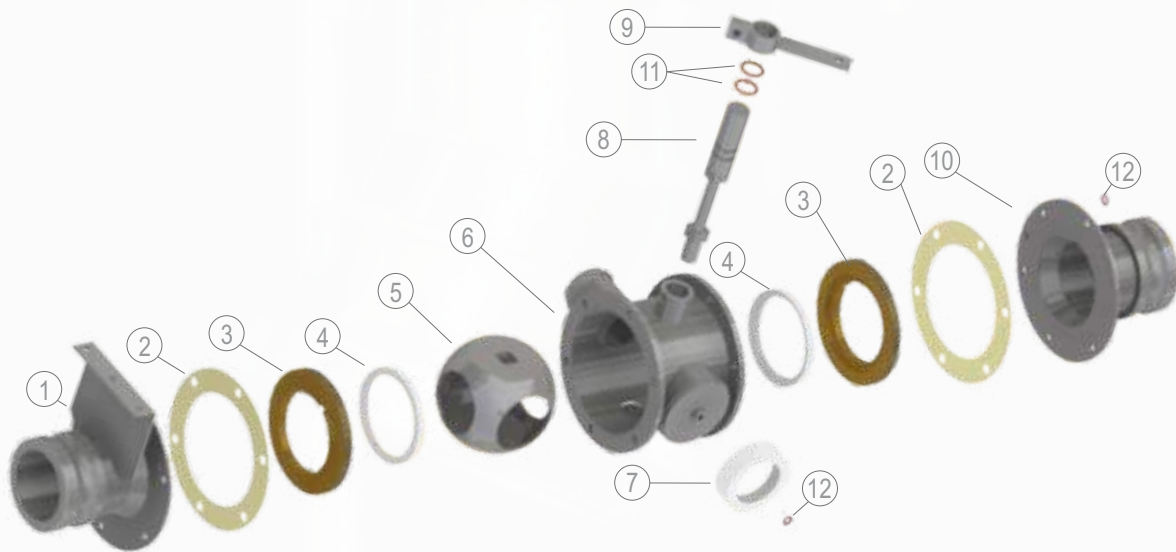


Spares Kit: Z 40240S-03 (Pag. 45).

ITE	PN	PRODUCT
1	Z 00121-07	STAINLESS HANDLE
2	Z 20242I-04	SHAFT
3	Z 80240-01	LEFT HAND VALVE'S BODY
	Z 80243-01	RIGHT HAND VALVE'S BODY
4	Z 40240S-03-02	MAIN SEAL (TEFLON)

ITEM	PN	PRODUCT
5	Z 40240S-03-01	94MM STAINLESS BALL
6	Z 40240S-05	BRASS NUT
7	Z 40240S-03-04	GASKET
8	Z 80240-02	VALVE CAP
9	Z 20242-08	O'RING 2113

Z 80242E
SPRAY CONTROL VALVE FOR AT 602 AND AT 802



Spares Kit: Z 80242E-03 (Pag. 45).

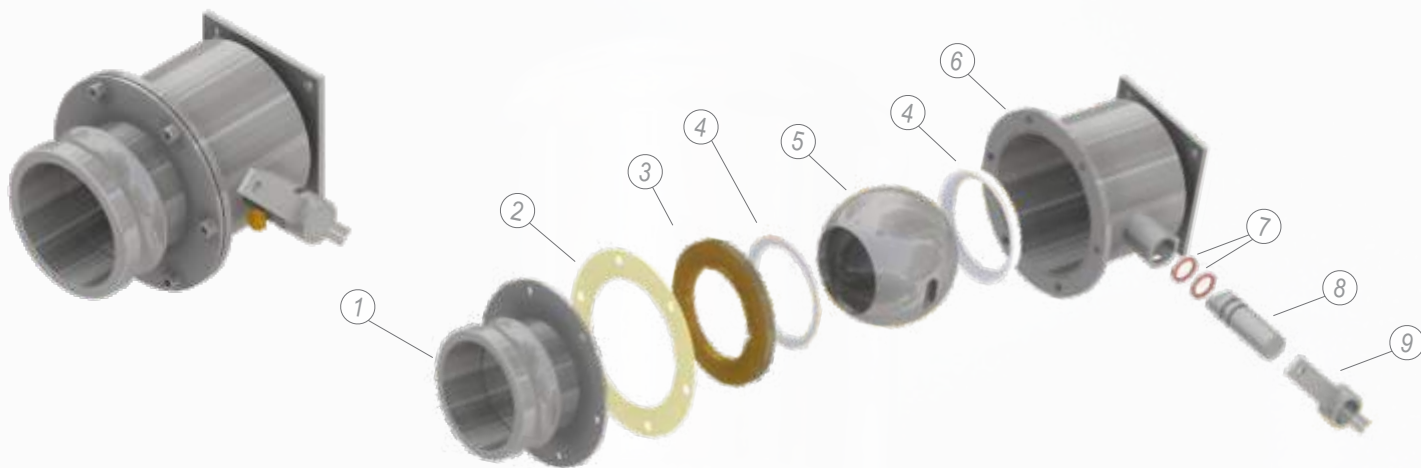
ITEM	PN	PRODUCT
1	Z 80242E-02	VALVE INLET
2	Z 40240S-03-04	GASKET
3	Z 40240S-05	BRASS NUT
4	Z 40240S-03-02	MAIN SEAL (TEFLON)
5	Z 80242E-03-01	94MM STAINLESS BALL
6	Z 80242E-01	VALVE BODY

ITEM	PN	PRODUCT
7	Z 00124-03-03	SIDE SEAL (TEFLON)
8	Z 80242E-04	SHAFT
9	Z 20242-07	STAINLESS HANDLE
10	Z 80242E-08	VALVE OUTLET
11	Z 20242-08	O'RING 2113
12	Z 20242-09	O'RING 2009

Z 40205S

3" SHUT-OFF VALVE W/ STAINLESS BALL

FOR AIR TRACTORS AT402, AT502, AT602 AND AT802



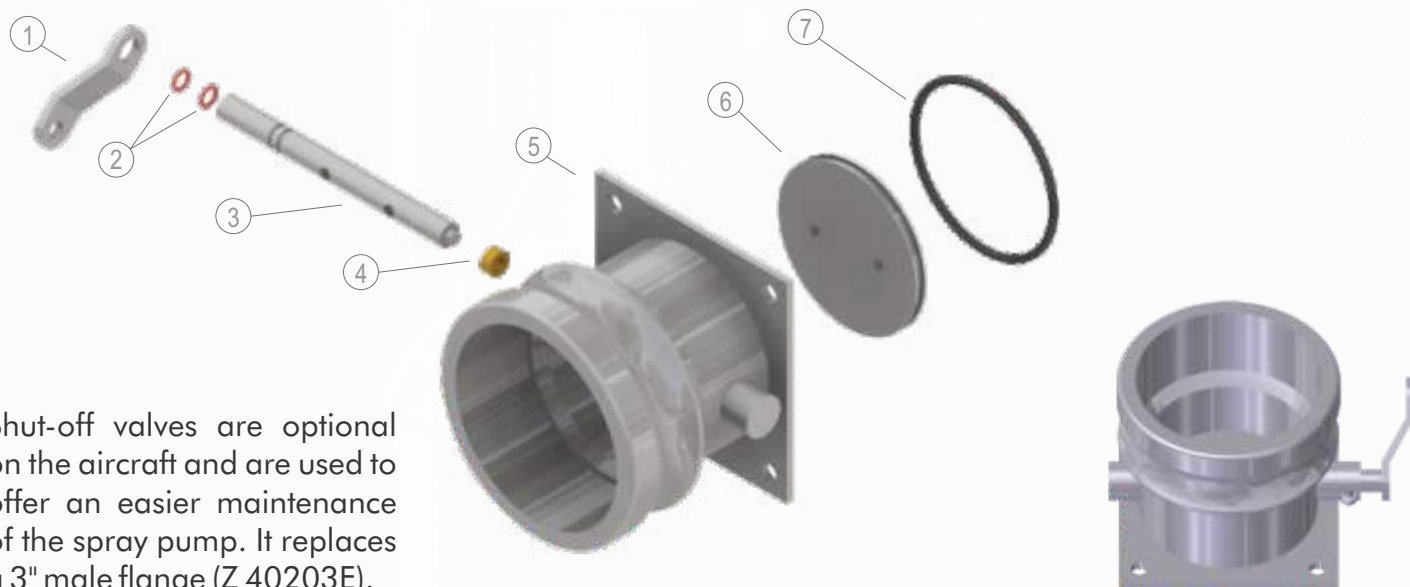
ITE	PN	PRODUCT
1	Z 40205S-02	VALVE CAP
2	Z 40240S-03-04	GASKET
3	Z 40240S-05	BRASS NUT
4	Z 40240S-03-02	MAIN SEAL (TEFLON)
5	Z 40240S-03-01	94MM STAINLESS BALL

ITEM	PN	PRODUCT
6	Z 40205S-01	VALVE BODY
7	Z 20242-08	O'RING 2113
8	Z 20242I-04	SHAFT
9	Z 20242-07	STAINLESS HANDLE

Z 50205E

3" SHUT-OFF VALVE - BUTTERFLY

FOR AIR TRACTORS (AT402, AT502, AT602 AND AT802) AND THRUSH 510

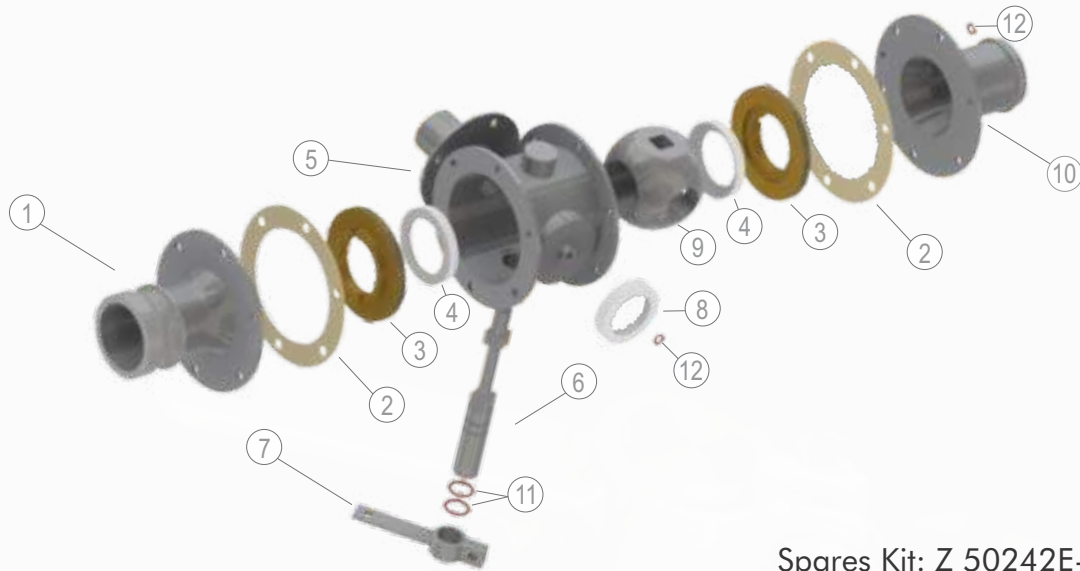


Shut-off valves are optional on the aircraft and are used to offer an easier maintenance of the spray pump. It replaces a 3" male flange (Z 40203E).

ITEM	PN	PRODUCT
1	Z 50205E-06	STAINLESS HANDLE
2	Z 20242-09	O'RING 2009
3	Z 50205E-04	SHAFT
4	Z 50205E-05	BRASS BUSHING

ITEM	PN	PRODUCT
5	Z 50205E-01	VALVE BODY
6	Z 50205E-03-01	STAINLESS DISK
7	Z 50205E-10	O'RING 226

Z 51042E SPRAY CONTROL VALVE

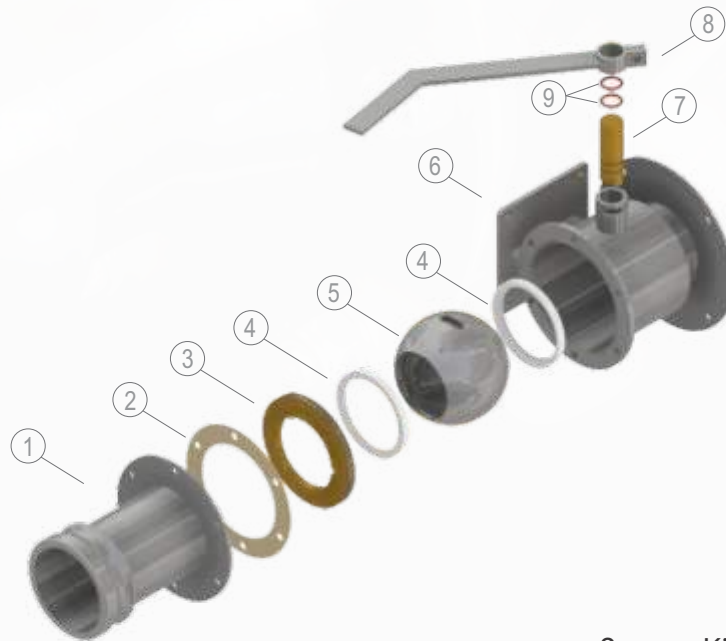


Spares Kit: Z 50242E-03 (Pag. 44).

ITEM	PN	PRODUCT
1	Z 00121-02	VALVE INLET
2	Z 00121-03-04	GASKET
3	Z 40242E-05	BRASS NUT
4	Z 40242E-03-02	MAIN SEAL (TEFLON)
5	Z 51042E-01	VALVE BODY
6	Z 50242E-04	SHAFT

ITEM	PN	PRODUCT
7	Z 20242-07	STAINLESS HANDLE
8	Z 40242E-03-03	SIDE SEAL (TEFLON)
9	Z 50242E-03-01	75MM STAINLESS BALL
10	Z 50242E-08	VALVE OUTLET
11	Z 20242-08	O'RING 2113
12	Z 20242-09	O'RING 2009

Z 51040S 3" LEFT HAND LOADER VALVE

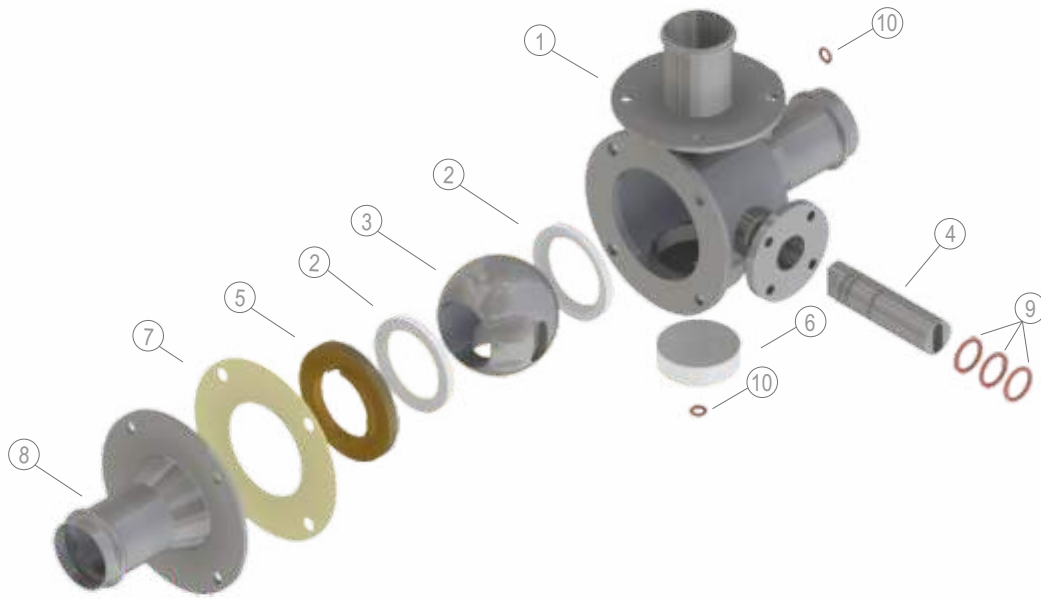


Spares Kit: Z 40240S-03 (Pag. 45).

ITEM	PN	PRODUCT
1	Z 51040S-02	VALVE CAP
2	Z 40240S-03-04	GASKET
3	Z 40240S-05	BRASS NUT
4	Z 40240S-03-02	MAIN SEAL (TEFLON)
5	Z 40240S-03-01	94 MM STAINLESS BALL

ITEM	PN	PRODUCT
6	Z 51040S-01	VALVE BODY
7	Z 20242I-04	SHAFT
8	Z 51040S-06	STAINLESS HANDLE
9	Z 20242-08	O'RING 2113

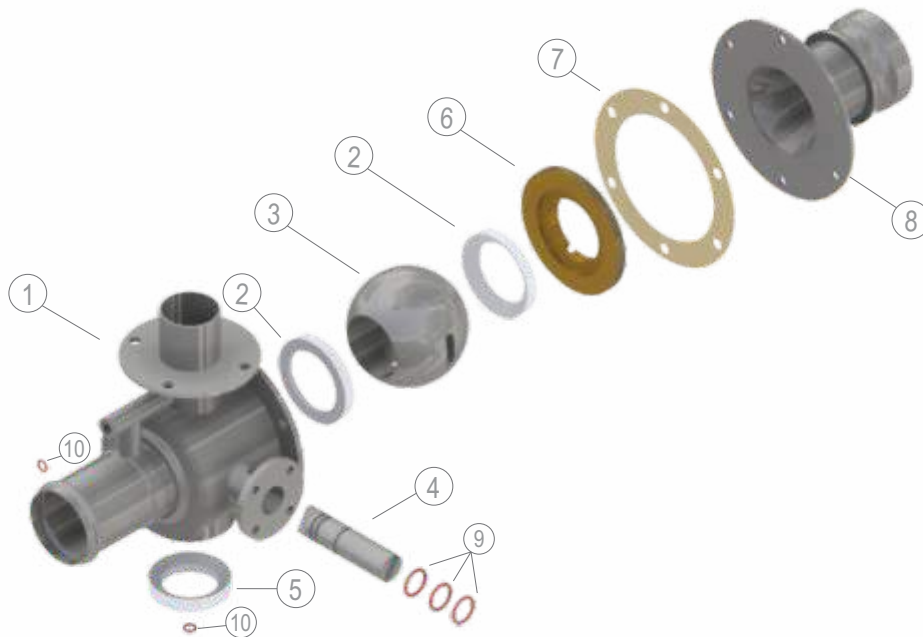
Z 23542EE 1 1/2" SPRAY CONTROL VALVE FOR ELECTRIC ENGINE



ITEM	PN	PRODUCT
1	Z 23542EE-01	VALVE BODY
2	Z 20242-03-02	MAIN SEAL (TEFLON)
3	Z 20242-03-01	61MM STAINLESS BALL
4	Z 23542EE-03	SHAFT
5	Z 20242-05	BRASS NUT

ITEM	PN	PRODUCT
6	Z 20242-03-03	SIDE SEAL (TEFLON)
7	Z 20242-03-04	GASKET
8	Z 23542E-02	VALVE CAP
9	Z 20242-08	O'RING 2113
10	Z 20242-09	O'RING 2009

Z 45042EE 2" SPRAY CONTROL VALVE FOR ELECTRIC ENGINE



ITEM	PN	PRODUCT
1	Z 45042EE-01	VALVE BODY
2	Z 40242E-03-02	MAIN SEAL (TEFLON)
3	Z 40242E-03-01	75MM STAINLESS BALL
4	Z 45042EE-03	SHAFT
5	Z 40242E-03-03	SIDE SEAL (TEFLON)

ITEM	PN	PRODUCT
6	Z 40242E-05	BRASS NUT
7	Z 00121-03-04	GASKET
8	Z 00121-02	VALVE CAP
9	Z 20242-08	O'RING 2113
10	Z 20242-09	O'RING 2009

AGNAV'S FLOW CONTROL

Since 2009, Zanoni Equipamentos and the Canadian GPS manufacturer AGNAV have been cooperating for the development of new technologies. Zanoni supplies the stainless steel flowmeter valves for the AgFlow system, offering sturdy and easy-to-use equipment. The AG-FLOW system for aerial applications is designed to ensure a steady distribution of product by automatically adjusting its flow. The equipment stands out due to its easy calibration, maintenance and operation, fitting all aircrafts and offering the pilot a quickly adjustment of the flow rate.

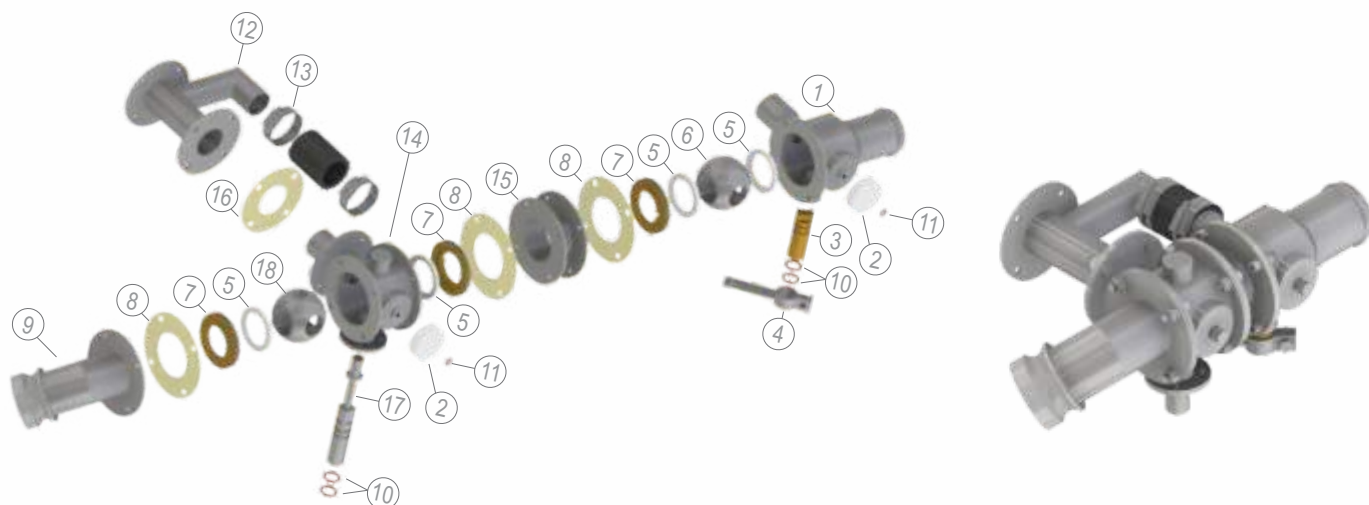


For more information, see: www.agnav.com/application-control/gps-auto-flow-control/

SOLUTIONS FOR THE GPS SYSTEM

In addition to the projects carried out directly with AgNav, Zanoni Equipamentos has been working in direct contact with the Brazilian dealer of the Canadian company, offering some solutions to problems arising from the day to day spraying work related to GPSs. Besides the strainer created by Zanoni Equipamentos that is placed between the pump and the spray control, which protects the flow meter and gives it greater accuracy (see it in the Air Tractor section of this document), we have also developed a "double spray control valve", which has an electrical drive but also contains a manual override for emergencies. It allows that when there is any problem with the electric engine, the pilot can continue the spraying manually, without the need of dumping the agrochemical load.

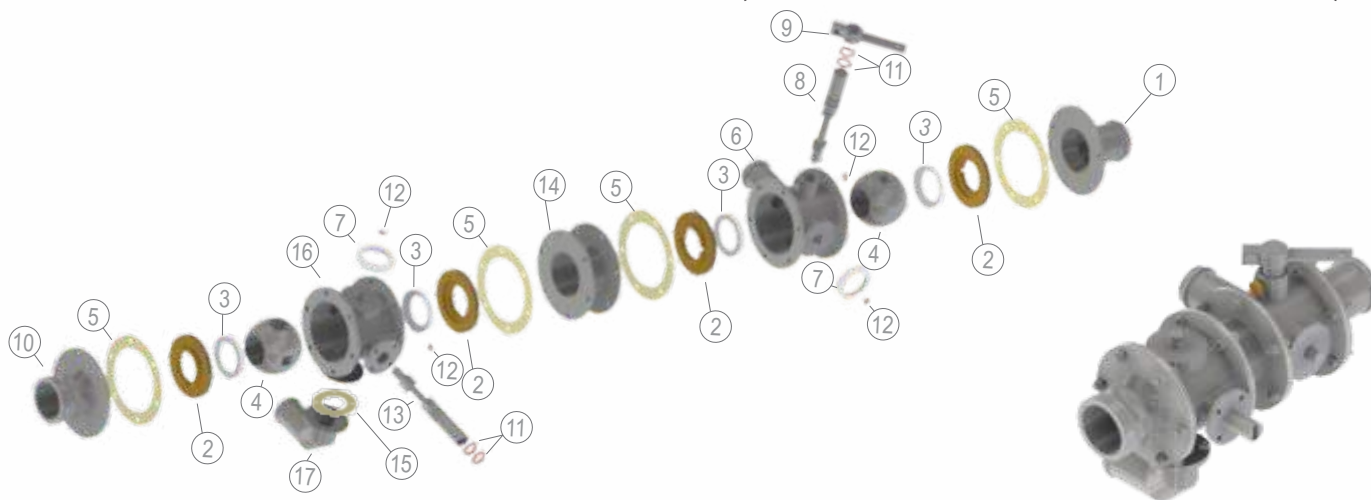
Z 20242EM DOUBLE VALVE WITH ELECTRIC DRIVE (EMBRAER IPANEMA)



ITEM	PN	PRODUCT
1	Z 20242EM-02	MANUAL VALVE BODY
2	Z 20242-03-03	SIDE SEAL (TEFLON)
3	Z 20242I-04	MANUAL VALVE SHAFT
4	Z 20242-07	STAINLESS HANDLE
5	Z 20242-03-02	MAIN SEAL (TEFLON)
6	Z 20242-03-01	61 MM STAINLESS BALL
7	Z 20242-05	BRASS NUT
8	Z 20242-03-04	GASKET
9	Z 20242E-02	VALVE CAP

ITEM	PN	PRODUCT
10	Z 20242-08	O'RING 2113
11	Z 20242-09	O'RING 2009
12	Z 20242EM-09	RETURN ELBOW
13	Z 00081	1 ½" STAINLESS CLAMP
14	Z 20242EE-01	ELECTRIC VALVE BODY
15	Z 20242EM-08	VALVE JUNCTION
16	Z 20242EM-03-04	RETURN GASKET
17	Z 20242EE-04	ELECTRIC VALVE SHAFT
18	Z 20242EE-03-01	61 MM STAINLESS BALL

Z 50242EM DOUBLE VALVE WITH ELECTRIC DRIVE (AIR TRACTOR AT 402 AND AT 502*)



ITEM	PN	PRODUCT
1	Z 50242E-08	402/502 VALVE CAP
2	Z 40242E-05	BRASS NUT
3	Z 40242E-03-02	MAIN SEAL (TEFLON)
4	Z 50242E-03-01	75MM STAINLESS BALL
5	Z 00121-03-04	GASKET
6	Z 50242E-01	MANUAL VALVE BODY
7	Z 40242E-03-03	SIDE SEAL (TEFLON)
8	Z 50242E-04	MANUAL VALVE SHAFT
9	Z 20242-07	STAINLESS HANDLE

ITEM	PN	PRODUCT
10	Z 50242EM-02	402/502 VALVE CAP
11	Z 20242-08	O'RING 2113
12	Z 20242-09	O'RING 2009
13	Z 50242EE-04	ELECTRIC VALVE SHAFT
14	Z 50242EM-08	VALVE JUNCTION
15	Z 50242EE-03-04	RETURN GASKET
16	Z 50242EE-01	ELECTRIC VALVE BODY
17	Z 50242EM-09	RETURN ELBOW

* For AT602 and AT802, ask for the Z 80242EM valve.

SPARES KIT FOR IPANEMA'S, PAWNEE'S AND CESSNA'S
 SPRAY CONTROL VALVE
 Z 20242-03



Complete Spares Kit for Cessna 188's Spray Control Valve (Z18842E); Pawnee's Spray Control Valve (Z23542E); and Ipanema's Spray Control Valve (Z20242E). Includes the following products:

ONE 61 MM STAINLESS STEEL BALL	Z 20242-03-01
TWO MAIN SEALS - TEFLON	Z 20242-03-02
ONE SIDE SEAL - TEFLON	Z 20242-03-03
ONE GASKET	Z 20242-03-04
TWO O'RINGS 2009	Z 20242-09
TWO O'RINGS 2113	Z 20242-08

SPARES KIT FOR AIR TRACTOR'S SPRAY CONTROL VALVE
 W/ CONVENTIONAL SHAFT (OLDER VERSION)
 Z 40242E-03

Complete Spares Kit for the older version of AT 402 and AT 502's Spray Control Valve (Z40242E). Includes the following products:

ONE 75MM STAINLESS STEEL BALL	Z 40242E-03-01
TWO MAIN SEALS - TEFLON	Z 40242E-03-02
ONE SIDE SEAL - TEFLON	Z 40242E-03-03
ONE GASKET	Z 00121-03-04
TWO O'RINGS 2009	Z 20242-09
TWO O'RINGS 2113	Z 20242-08



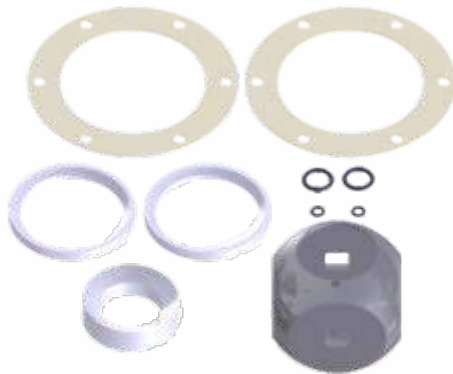
SPARES KIT FOR AIR TRACTOR'S AND THRUSH'S SPRAY
 CONTROL VALVE - W/ THROUGH SHAFT (NEWER VERSION)
 Z 50242E-03



Complete Spares Kit for AT 402 and AT 502's Spray Control Valve (Z50242E) and for the Thrush 510 (Z51042E). Includes the following products:

ONE 75MM STAINLESS STEEL BALL	Z 50242E-03-01
TWO MAIN SEALS - TEFLON	Z 40242E-03-02
ONE SIDE SEAL - TEFLON	Z 40242E-03-03
TWO GASKETS	Z 00121-03-04
TWO O'RINGS 2009	Z 20242-09
TWO O'RINGS 2113	Z 20242-08

SPARES KIT FOR AT 802'S SPRAY CONTROL VALVE
Z 80242E-03



Complete Spares Kit for AT 602 and AT 802's Spray Control Valve (Z 80242E). Includes the following products:

ONE 94MM STAINLESS STEEL BALL	Z 80242E-03-01
TWO GASKETS	Z 40240S-03-04
TWO MAIN SEALS - TEFLON	Z 40240S-03-02
ONE SIDE SEAL - TEFLON	Z 00124-03-03
TWO O'RINGS 2009	Z 20242-09
TWO O'RINGS 2113	Z 20242-08

SPARES KIT FOR IPANEMA'S, PAWNEE'S AND CESSNA'S
LOADER AND SHUT-OFF VALVES
Z 20240-03

Complete Spares Kit for Ipanema's Loader Valves (Z 20240 and Z 20243), Pawnee's Loader Valve (Z 23540), Cessna 188's Loader Valves (Z 18840 and Z 18843); Ipanema's Shut-Off Valve (Z 20205E) and Cessna 188's Shut-Off Valve (Z 18805E). Includes the following products:

ONE 61MM STAINLESS STEEL BALL	Z 20240-03-01
TWO MAIN SEALS - TEFLON	Z 20242-03-02
ONE GASKET	Z 20242-03-04
TWO O'RINGS 2113	Z 20242-08



SPARES KIT FOR AIR TRACTOR'S AND THRUSH'S
3" LOADER VALVE
Z 40240S-03



Complete Spares Kit for AT 402, AT 502 and AT 602's Loader Valves (Z40240S and Z40243S), AT 802's Loader Valves (Z80240S and Z80243S) and for the Thrush 510's Loader Valve (Z51040S). Includes the following products:

ONE 94MM STAINLESS STEEL BALL	Z 40240S-03-01
TWO MAIN SEALS - TEFLON	Z 40240S-03-02
ONE GASKET	Z 40240S-03-04
TWO O'RINGS 2113	Z 20242-08

ROTARY ATOMIZERS



ANONI[®]
EQUIPAMENTOS





ROTARY ATOMIZERS

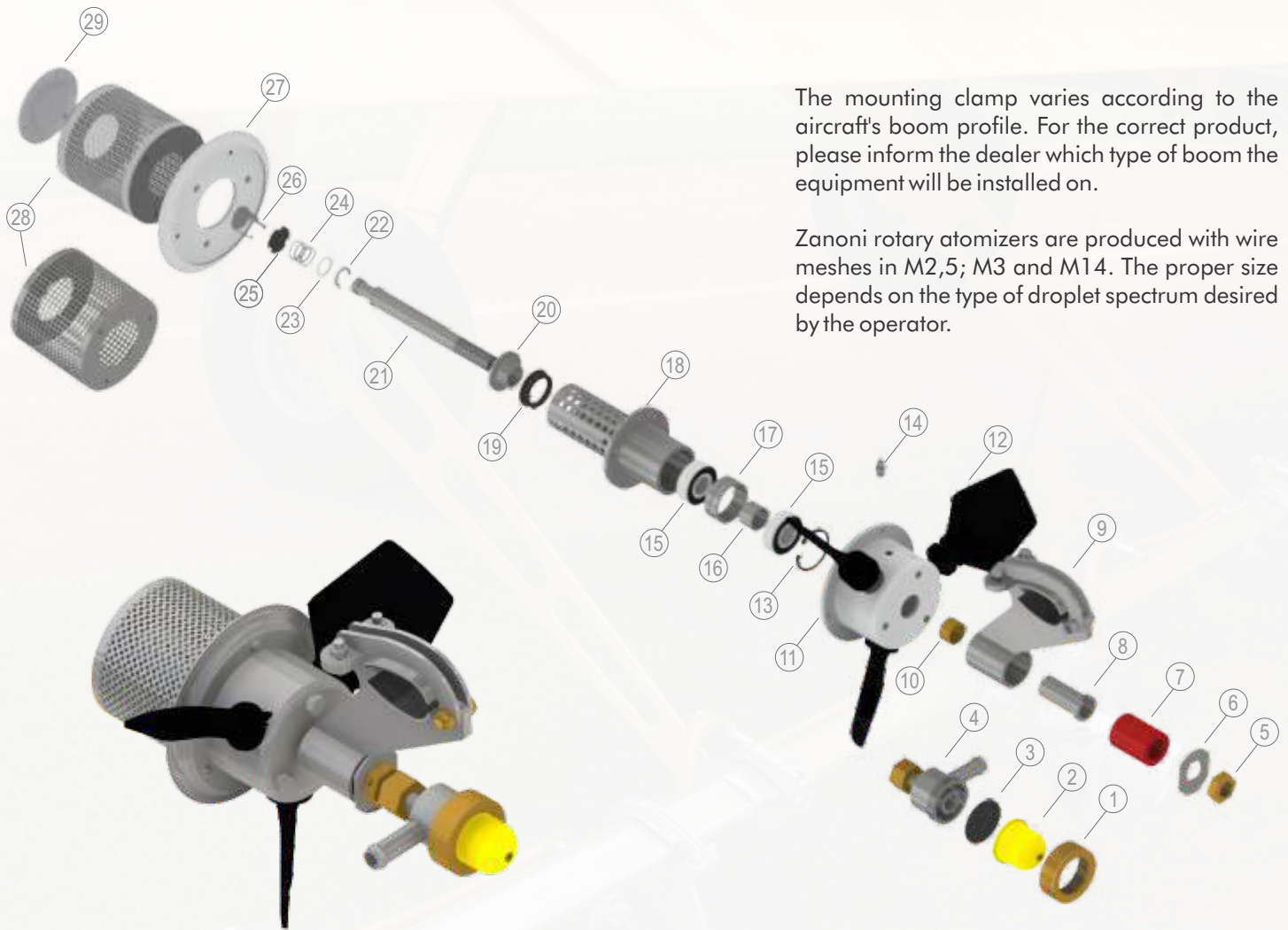
The spraying with rotary atomizers offers the operator a wide range of application volumes, from ultra low volume (ULV) to conventional applications, with uniform drop diameters and easy adjustment, giving greater efficiency and economy in the spray of liquid products.

Result of a long period of research and development, the Zanoni rotary atomizer started to be produced about three years ago, with very positive feedback from the Brazilian and South American fleet, where hundreds of them already in operation on larger and smaller aircraft.

Precisely designed to meet the demands of the ag aviation industry for more efficient and resistant products, it has a stainless steel structure, with bigger bearings and more resistant gauzes than other brands, in diverse options of meshes. The anti-drip system (diaphragm check valve) and the variable restrictor unit (VRU) are also manufactured in stainless steel, with high durability and an easy repair.

In the last crop season, Zanoni Equipamentos also launched a M14 wire mesh, offering an even wider spectrum of droplet sizes. Several agronomists have praised its performance, highlighting the operation of the VRU, the uniformity of the drops and the effect of the deflector disc. You can have more information about the complete tests contacting the Zanoni sales team.

ROTARY ATOMIZERS Z 20224-1/2 and Z 40224-1/2



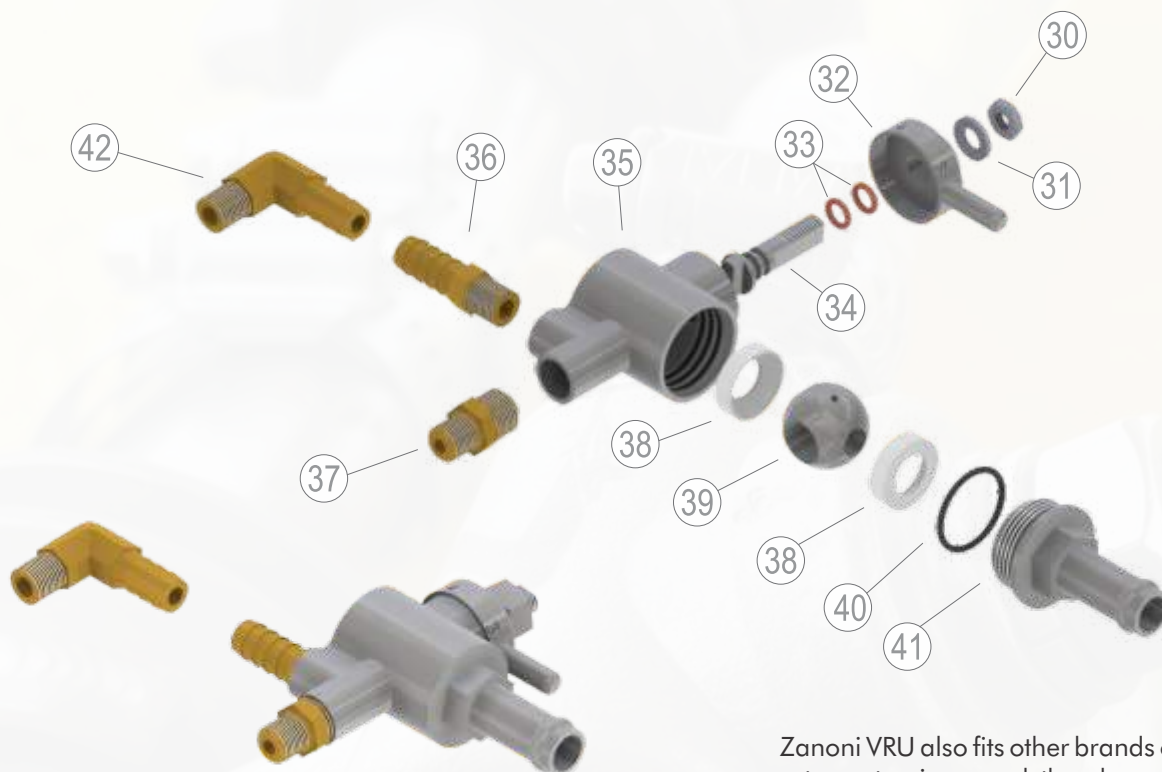
The mounting clamp varies according to the aircraft's boom profile. For the correct product, please inform the dealer which type of boom the equipment will be installed on.

Zanoni rotary atomizers are produced with wire meshes in M2,5; M3 and M14. The proper size depends on the type of droplet spectrum desired by the operator.

ITEM	PN	PRODUCT
1	Z 20224-05-04	RING, SECURING
2	Z 20224-05-02	CAP
3	Z 20224-05-05	VITON DIAPHRAGM
4	Z 20224-05-01	DIAPHRAGM CHECK VALVE BODY
1/2" DIAPHRAGM CHECK VALVE (COMPLETE): Z 20224-05-1/2"		
5	Z 20224-01-09	BRASS NUT
6	Z 20224-02-05	WASHER
7	Z 20224-02-04	POLYURETHANE BUSH
8	Z 20224-02-03	BUSH PIPE
9	Z 20224-02	MOUNTING CLAMP (1 1/2" BOOMS)
	Z 40224-02	MOUNTING CLAMP (2" BOOMS)
10	Z 20224-01-10	BRASS BUSHING
11	Z 20224-01-01	HUB BODY ASSEMBLY
12	Z 20224-01-08	FAN BLADES (WIDE)
	Z 50224-01-08	FAN BLADES (MEDIUM)
	Z 80224-01-08	FAN BLADES (SHORT)
13	Z 20224-01-02-04	SNAP RING I-35
14	Z 20224-01-01-03	GREASE NIPPLE

ITEM	PN	PRODUCT
15	Z 20224-01-02-03	BEARING
16	Z 20224-01-02-06	BEARING SPACER (INSIDE)
17	Z 20224-01-02-05	BEARING SPACER (OUTSIDE)
18	Z 20224-01-02-07	BEARING HOUSING
19	Z 20224-01-05	V'RING
20	Z 20224-01-04	DEFLECTOR RING
21	Z 20224-01-03-01	SHAFT
22	Z 20224-01-03-05	SPRING CLIP
23	Z 20224-01-03-04	TEFLON GUIDE
24	Z 20224-01-03-03	SPRING
25	Z 20224-01-03-02-03	VITON RING
26	Z 20224-01-03-02	RETENTION VALVE
27	Z 20224-01-07	DEFLECTOR DISC
28	Z 20224-01-06-M2,5	ATOMIZER GAUZE M2,5
	Z 20224-01-06-M3	ATOMIZER GAUZE M3
	Z 20224-01-06-M14	ATOMIZER GAUZE M14
29	Z 20224-01-13	DEFLECTOR CAP

1/2" VARIABLE RESTRICTOR UNIT (VRU)
Z 20224-03-1/2



Zanoni VRU also fits other brands of rotary atomizers and they have a double feeding system (items 37 + 42), for applications with higher flow rates.

ITEM	PN	PRODUCT
30	Z 20208-01-04	5/16" HEX NUT
31	Z 20208-08	5/16" WASHER
32	Z 20224-03-09	DISC WITH LEVER
33	Z 20224-09	O'RING 2008
34	Z 20224-03-04	SHAFT
35	Z 20224-03-01	VRU BODY
36	Z 00093	NOZZLE FOR HOSE (3/8" X 1/8" NPT)
37	Z 00089	1/4" X 1/8" NPT NIPPLE
38	Z 20224-03-05	MAIN SEAL (TEFLON)
39	Z 20224-03-03	STAINLESS STEEL BALL
40	Z 20224-08	O'RING 019
41	Z 20224-03-02	VRU CAP 1/2"
42	Z 00092	ELBOW (3/8" X 1/8" NPT)

GATE BOXES AND FIRE GATES



ANONI[®]
EQUIPAMENTOS





ANONI[®]
EQUIPAMENTOS

GATE BOXES AND FIRE GATES

Prerogative of our industry for several decades, agricultural aircrafts have played a fundamental role in protecting the main areas of nature preservation and in combating crop fires, since they are more versatile than other aircraft models. In the last years, Zanoni Equipamentos has been designing and manufacturing a diversified line of fire gate boxes, with several models to suit different types of aircraft. In addition to the manual gates, Zanoni Equipamentos now also produces fire gate boxes with an electro-hydraulic engine and a sensor that allows the adjustment of its opening.

Manufactured in stainless steel, Zanoni Equipamentos's 2nd generation of fire gate boxes offers a simpler and more precise operation. One of its main differentials is the flexibility it gives to the aircraft: as it is not necessary to uninstall the spraying system for its use, there is no headache in having to change the equipments, enabling the traditional activities of the aerial application to be carried out with no problems. Moreover, with the opening adjustment system, it also allows for the pilot to deliver a consistent and controlled amount of fire retardant to the specified drop zone and to carry out the dispersion of solids.

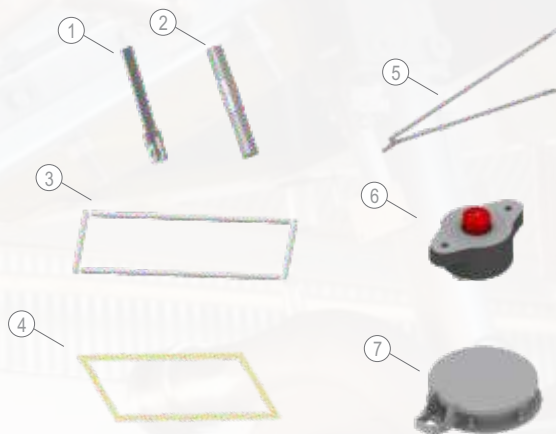
Currently, Zanoni Equipamentos has dozens of fire gates in operation throughout Brazil and other countries in South America, where the company has stood out as the main supplier of this type of equipment, playing a decisive role in protecting forest reserves, including several operations in the Amazon rainforest. The company has also been working together with foreign partners to develop new technologies in this product line and to offer the best quality in different countries.

FIRE GATE BOXES WITH ELECTRO-HYDRAULIC ENGINE

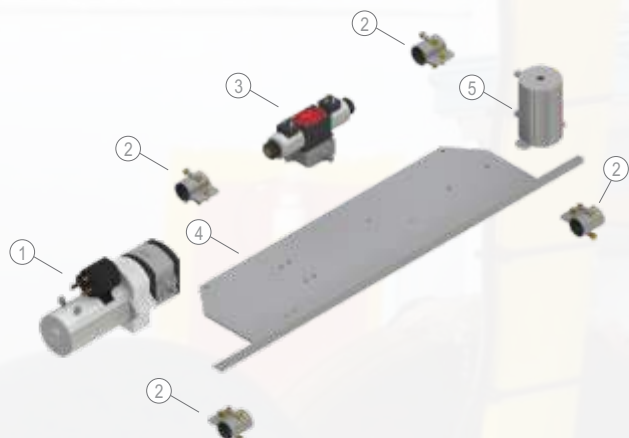
AIR TRACTOR AT 402 AND AT 502 (Z 40208H)
 AIR TRACTOR AT 602 AND AT 802 (Z 80208H)
 THRUSH 510 (Z 51008H)



ITEM	PN	PRODUCT
1	Z 40208H-01-11	FORK JOINT
2	Z 40208H-01-01	CONTROL ROD
3	Z 40208H-01-02-03	SILICON SEAL
4	Z 40208-22	GASKET
5	Z 40208H-07	LONG ROD FOR MANUAL DUMPING
	Z 40208H-08	SHORT ROD FOR MANUAL DUMPING
6	Z 40208H-12	CIRCUIT BREAKER PDLM-150
7	Z 50208I-02	AIR INLET

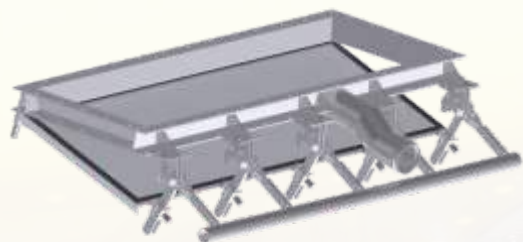


ELECTRO-HYDRAULIC ENGINE Z 40208H-03

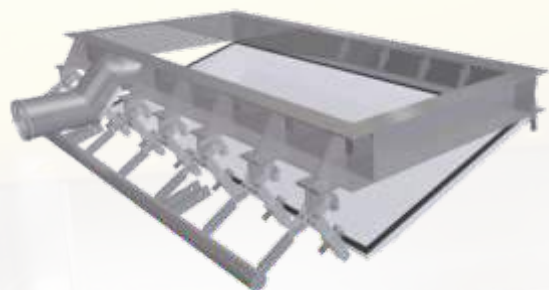


ITEM	PN	PRODUCT
1	Z 40208H-03-01	ENGINE
2	Z 40208H-02-11	CLAMP
3	Z 40208H-02-02	DIRECTIONAL VALVE
4	Z 40208H-02-04	BASE
5	Z 40208H-02-03	HYDRAULIC RESERVOIR

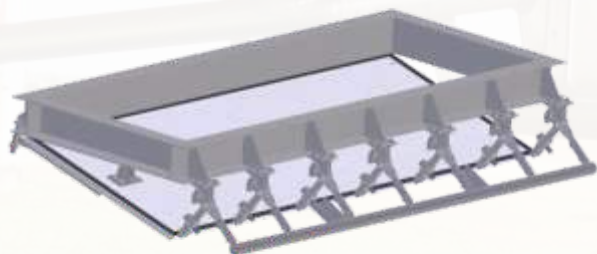
FIRE GATE BOXES WITH MANUAL OPERATION



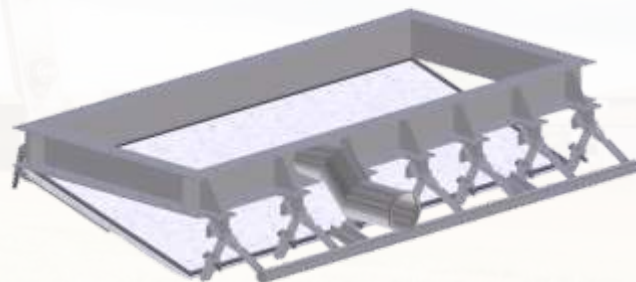
IPANEMA
Z 20208I



AIR TRACTOR AT 402/AT 502
Z 40208I



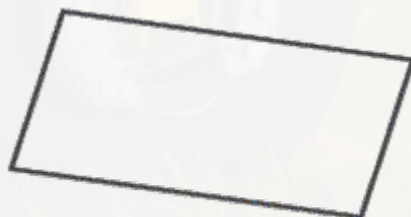
THRUSH 510
Z 51008I



AIR TRACTOR AT 602/AT 802
Z 80208I



Clip
Z 40208I-01-04



Seal
Z 40208I-02-02



Loader Pipe
Z 40208I-03

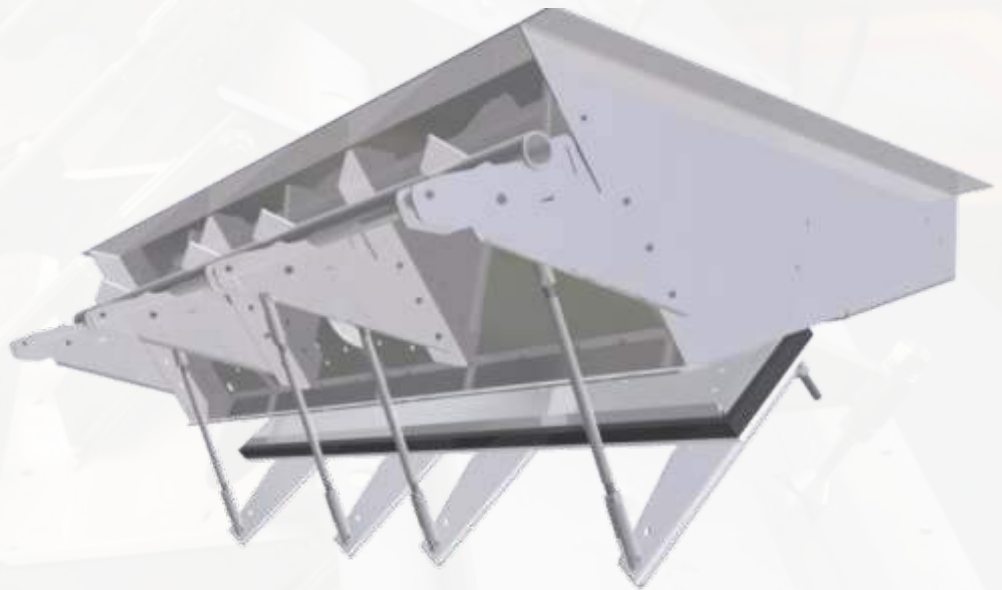
GATE BOXES

AIR TRACTOR AT402 AND AT502 (Z 40208)
AIR TRACTOR AT602 AND AT802 (Z 80208)
THRUSH (Z 51008)

Fork Joint
Z 40208-06

Dumping Rod
Z 40208-01

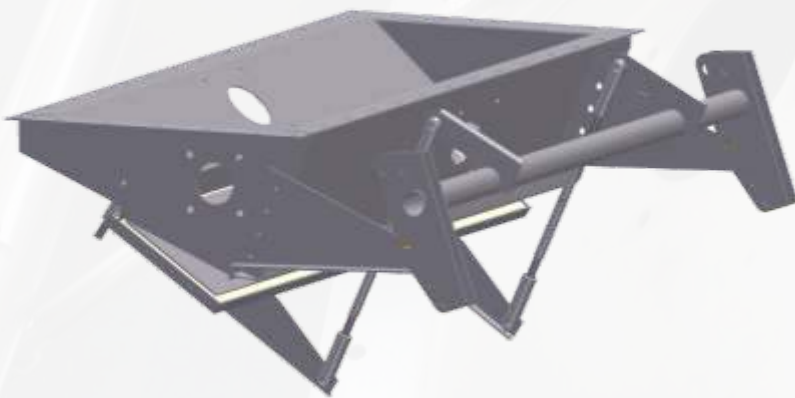
Seal
Z 40208-02-02



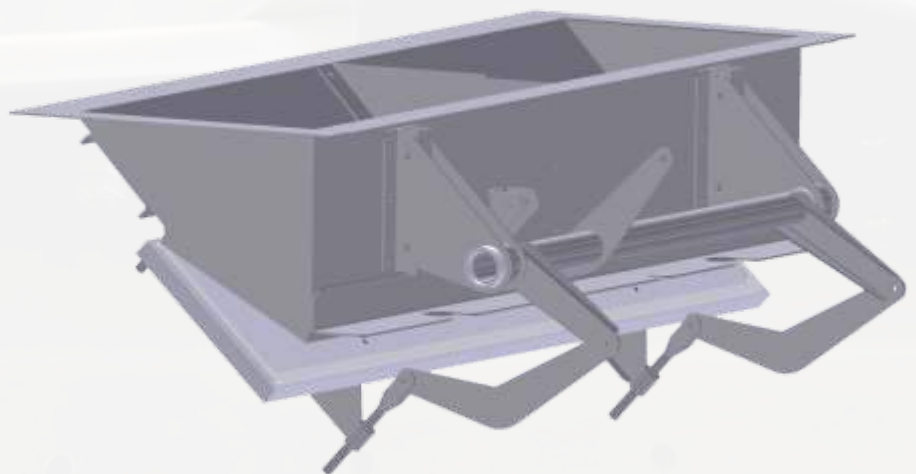
GATE BOXES
IPANEMA (Z 20308)
CESSNA (Z 18808)

Fork Joint
Z 20208-06

Dumping Rod
Z 20208-01



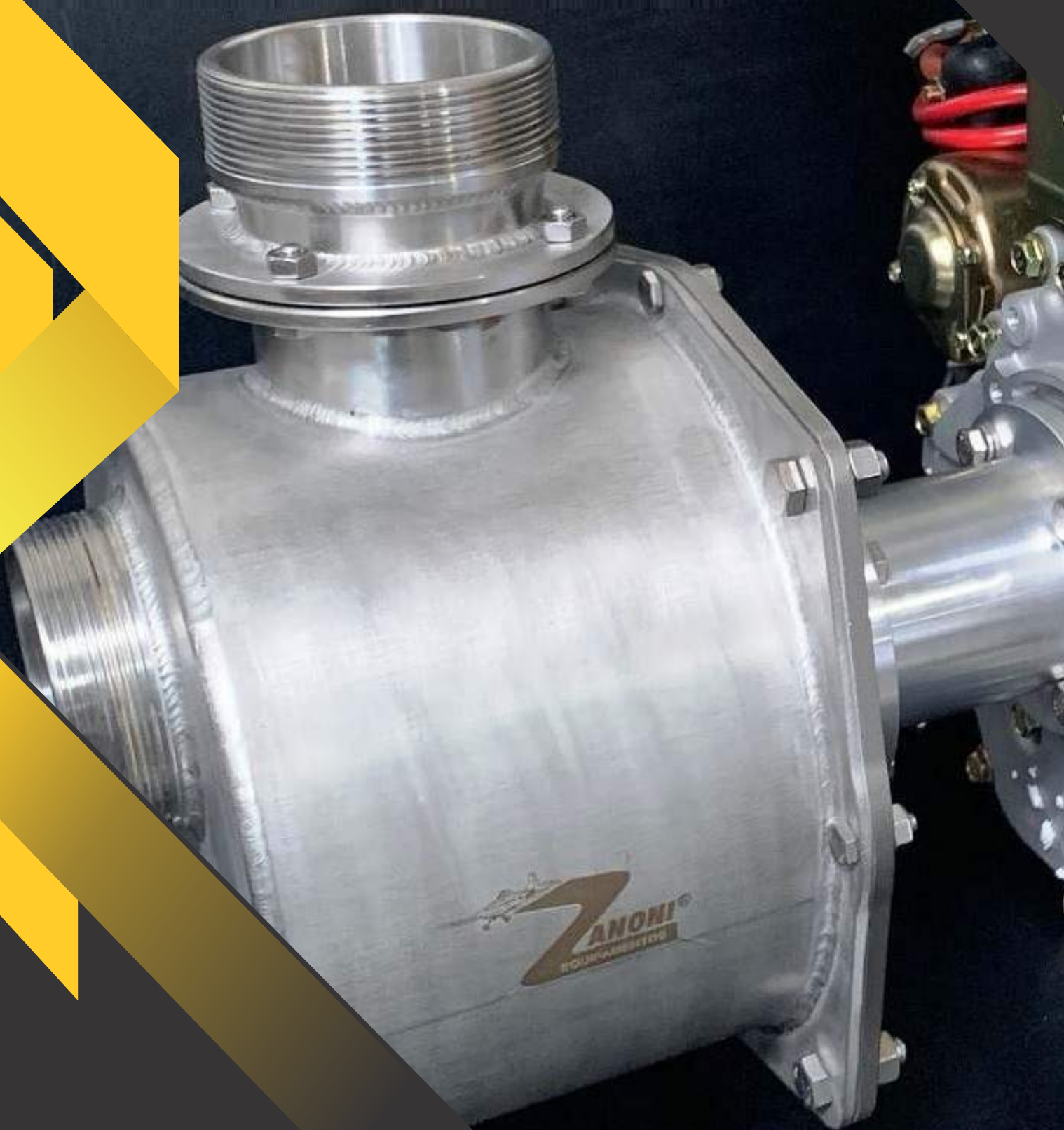
GATE BOX
PAWNEE (Z 23508)



GROUND SUPPORT AND FITTINGS



ANONI[®]
EQUIPAMENTOS





ZANONI
EQUIPAMENTOS

GROUND SUPPORT AND FITTINGS

One of the main difficulties of the ag aviation industry is the lack of solutions specifically directed to our activities, which often requires the adaptation of other technologies to our work. It was thinking about this problem that Zanoni Equipamentos developed a complete line of products for the supply of ag aircraft, offering ground support equipment with greater durability in order to meet the demands of our partners.

In recent years, Zanoni Equipamentos has been manufacturing a line of water pumps for loading the aircrafts. With stainless steel frame, these pumps are produced with several options of engine or can be adapted to the customer's. For foreign clients, engine options should be consulted with our distributors. In addition to the stainless steel frame, Zanoni pumps have brought three other innovations to its users: a tungsten seal, much more resistant than other materials and which prevents leakage problems, a shaft coated in stainless steel, which withstands corrosion for a long time, and a bearing housing, which avoids the risk of any liquid leaking into the engine, preserving the proper functioning and life of the equipment.

This product line has received great feedback in the Brazilian market, due to the cost-benefit of the equipment and its great durability when compared to traditional pumps manufactured in other materials. In addition to being the main supplier of this type of product to the Brazilian agricultural fleet, Zanoni Equipamentos is now also the producer of these pumps for the main manufacturers of load tanks in country.

Zanoni Equipamentos also has a complete series of line strainers, directional valves (two-way and three-way valves) and centrifugal pumps, offering greater robustness to the ground crew. We believe that the technological development for ground support equipment is also of great relevance for the ag aviation, since, in addition to increasing the efficiency of work by saving time, it also provides higher quality and safety in the work environment.

**STAINLESS STEEL
DIRECTIONAL VALVES**



2" Three-Way Directional Valve
75mm Stainless Ball
Z 00120
Spares Kit: Z 00120-03



2" Two-Way Directional Valve
75mm Stainless Ball
Z 00121
Spares Kit: Z 00121-03



3" Two-Way Directional Valve
94mm Stainless Ball
Z 00123
Spares Kit: Z 00123-03



3" Three-Way Directional Valve
94mm Stainless Ball
Z 00124
Spares Kit: Z 00124-03



3" Two-Way Directional Valve
110mm Stainless Ball
Z 00125
Spares Kit: Z 00125-03



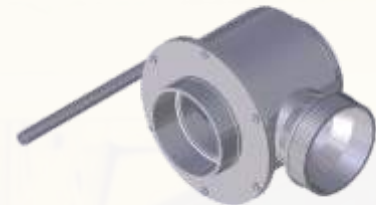
3" Two-Way Directional Valve
110mm Stainless Ball
Z 00125S
Spares Kit: Z 00125-03



3" Three-Way Directional Valve
110mm Stainless Ball
Z 00126
Spares Kit: Z 00126-03



3" Three-Way Directional Valve
110mm Stainless Ball
Z 00126S
Spares Kit: Z 00126-03

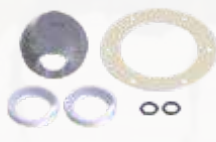


4" Two-Way Directional Valve
150mm Stainless Ball
Z 00127
Spares Kit: Z 00127-03

SPARES KITS



Z 00120-03



Z 00121-03



Z 00123-03



Z 00124-03



Z 00125-03



Z 00126-03

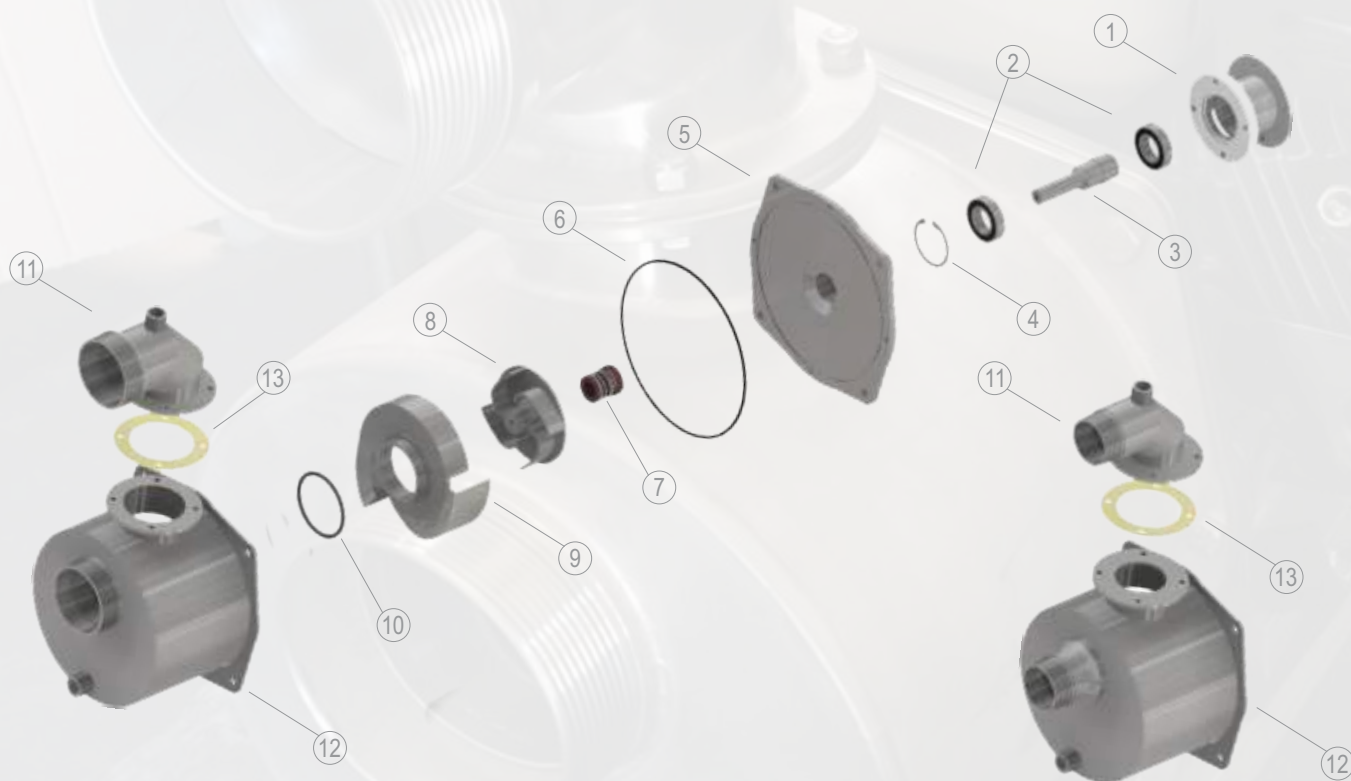
PUMPS FOR HONDA ENGINE WITH 3/4" SHAFT



3" PUMP FOR GX 200 HONDA ENGINE
- Q TYPE (Z 00215M-02)



2" PUMP FOR GX 200 HONDA ENGINE
- Q TYPE (Z 00216M-02)



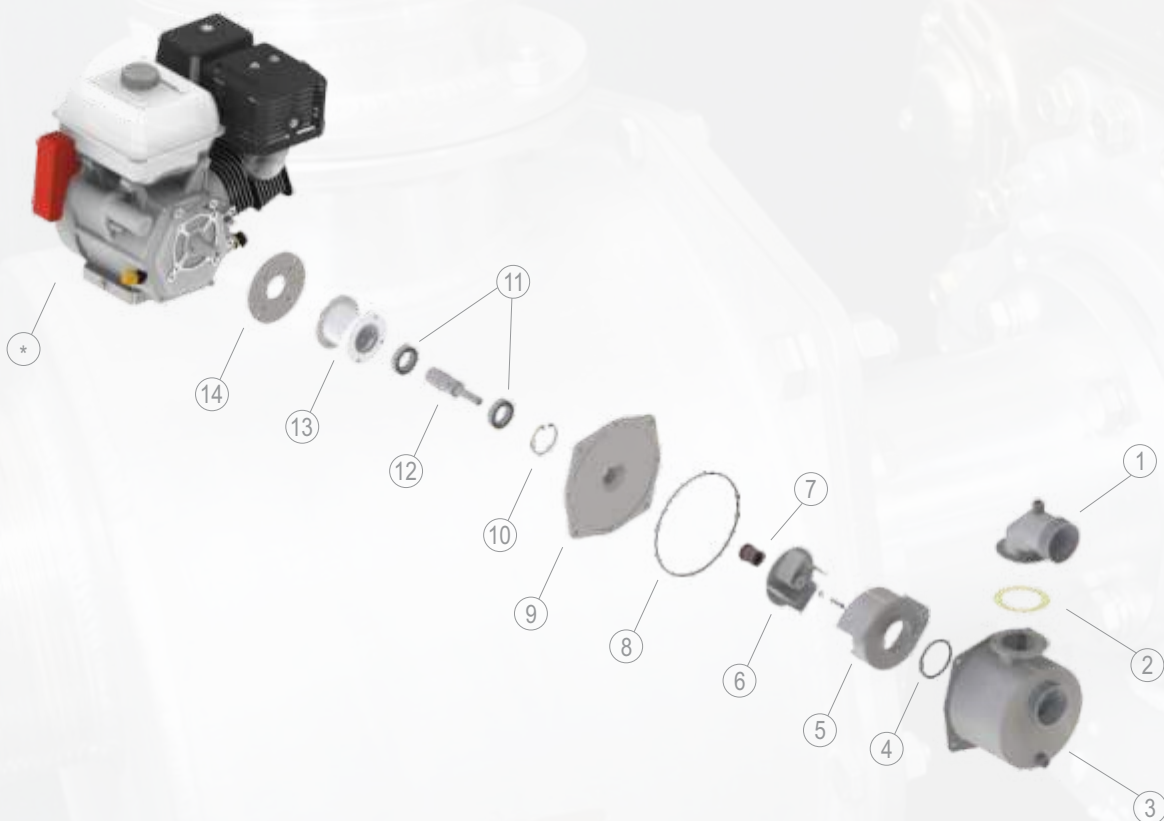
ITEM	PN	PRODUCT
1	Z 00215M-07	BEARING HOUSING
2	Z 00215M-10	BEARING 6006
3	Z 00215M-04	3/4" SHAFT
4	Z 00215M-11	SNAP RING I55
5	Z 00215S-02-01	PUMP CAP
6	Z 00220-13	O'RING 268
7	Z 00231M-17	TUNGSTEN SEAL
8	Z 00215-05	KEYED IMPELLER

ITEM	PN	PRODUCT
9	Z 00215-03	IMPELLER HOUSING
10	Z 00215-12	O'RING 336
11	Z 00210-02-04	3" THREADED OUTLET
	Z 00214-02-04	2" THREADED OUTLET
12	Z 00210-02-02	3" PUMP BODY
	Z 00214-02-02	2" PUMP BODY
13	Z 00210-02-05	GASKET

PUMPS FOR HONDA ENGINE WITH 1" SHAFT



3" PUMP FOR GX 240, GX 270, GX 340 AND GX 390 HONDA ENGINES
- Q TYPE (Z 00220M-02)



ITEM	PN	PRODUCT
1	Z 00210-02-04	3" OUTLET
2	Z 00210-02-05	GASKET
3	Z 00220M-02-02	3" PUMP BODY
4	Z 00215-12	O'RING 336
5	Z 00220-03	IMPELLER HOUSING
6	Z 00220M-05	KEYED IMPELLER
7	Z 00231M-17	TUNGSTEN SEAL

ITEM	PN	PRODUCT
8	Z 00220-13	O'RING 268
9	Z 00215S-02-01	PUMP CAP
10	Z 00230SS-24	SNAP RING I62
11	Z 00215S-12	BEARING 6007
12	Z 00220M-04	1" SHAFT
13	Z 00215S-06	BEARING HOUSING
14	Z 00220M-07	ENGINE FITTING

*For more information regarding the engines, please check next page.

ZANONI'S BEARING HOUSING

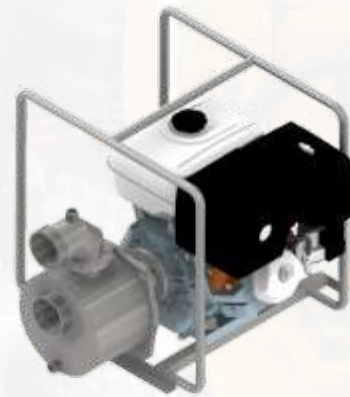
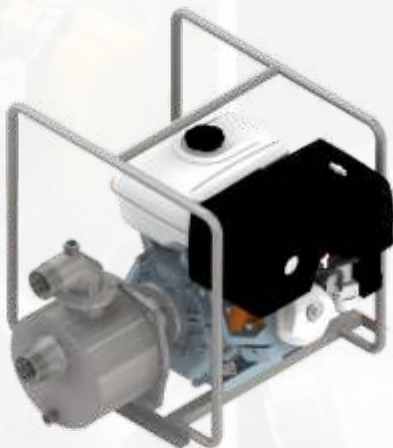
Manufactured with the most resistant materials to withstand the corrosion of agrochemicals, Zanoni pumps stand out due to their high durability. In addition to the quality of its stainless steel structure and the seal in tungsten and silicon carbide, Zanoni Equipamentos also developed a bearing housing that protects the engine shaft. This technology not only guarantees longer life to the shaft with the coating in stainless steel, but also prevents liquids from returning to the engine and damaging it.



ENGINE OPTIONS

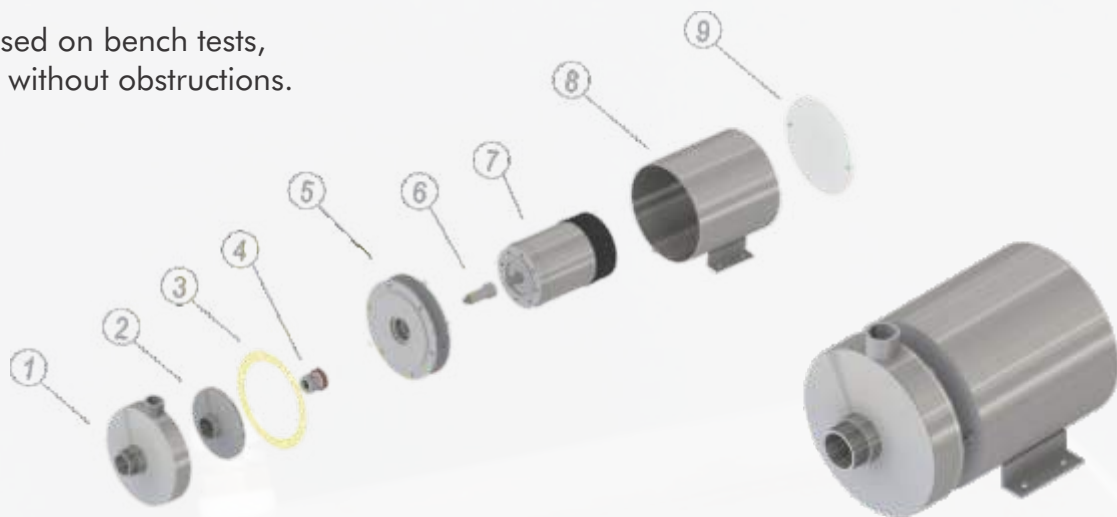
The pumps presented here in this document are only part of the Zanoni's line of water pumps. In Brazil, we manufacture a wide variety of pumps for various engine brands, the most common of which are Honda, Toyama, Buffalo and Branco (the latter two are Brazilian companies), selling them in the country along with the pumps.

For our foreign customers, we mainly sell the pumps for Honda's GX line, type Q, without the engine. For more engine options, please consult our foreign distributors, who are responsible for integrating Zanoni pumps with the best-selling engines in your country or for selling the Zanoni pump so that you can install it on your engine. If you are interested in other engine options, feel free to contact the Zanoni team.



Z 00200R
12V STAINLESS STEEL CENTRIFUGAL PUMP
 (80 L/MIN - 21 US Gallon per minute)

Flow values based on bench tests,
 with water and without obstructions.

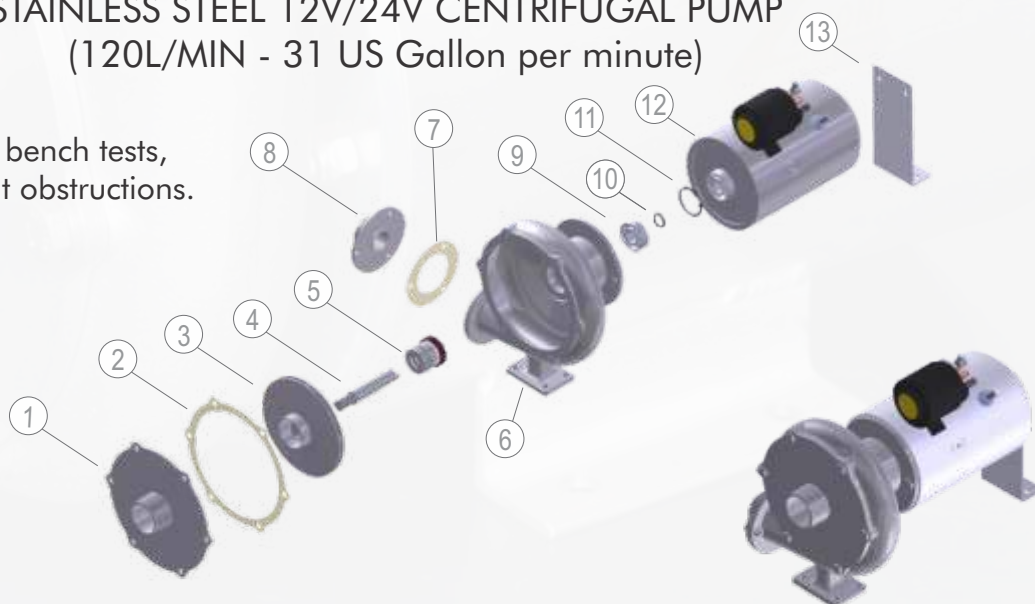


ITEM	PN	PRODUCT
1	Z 00200R-02	IMPELLER HOUSING
2	Z 00200R-05	IMPELLER
3	Z 00200R-07	GASKET
4	Z 20230E-11	3/4" VITON SEAL
5	Z 00200R-01	BEARING HOUSING

ITEM	PN	PRODUCT
6	Z 00200R-03	SHAFT
7	Z 00200R-08	12V ENGINE
8	Z 00200R-04	ENGINE HOUSING
9	Z 00201-10	PUMP CAP

Z 00202
STAINLESS STEEL 12V/24V CENTRIFUGAL PUMP
 (120L/MIN - 31 US Gallon per minute)

Flow values based on bench tests,
 with water and without obstructions.



ITEM	PN	PRODUCT
1	Z 00202-07	PUMP CAP
2	Z 20330E-21	GASKET
3	Z 00202-05	IMPELLER
4	Z 00202-03	SHAFT
5	Z 00230H07-14	5/8" SEAL
6	Z 00202-02	IMPELLER HOUSING
7	Z 20230E-24	GASKET

ITEM	PN	PRODUCT
8	Z 00202-02-06	OUTLET
9	Z 20224-01-02-03	BEARING 6202
10	Z 00202-09	SNAP RING E15
11	Z 20224-01-02-04	SNAP RING I35
12	Z 00202-04*	1,50 KW/12V ENGINE
	Z 00202-04-24V*	1,50 KW/24V ENGINE
13	Z 00202-06	ENGINE SUPPORT

*Please inform the pump voltage before ordering.



70 x 283mm Line Strainer
3" Male Inlet/3" Male Outlet
Z 00100



70 x 283mm Line Strainer
3" Thread Inlet/3" Male Outlet
Z 00101



70 x 283mm Line Strainer
2" Male Inlet/2" Male Outlet
Z 00102



70 x 283mm Line Strainer
2" Thread Inlet/2" Male Outlet
Z 00103



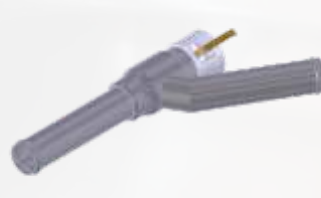
50 x 170mm Line Strainer
2" Male Inlet/2" Male Outlet
Z 00104



50 x 170mm Line Strainer
2" Thread Inlet/2" Male Outlet
Z 00105



50 x 340mm Line Strainer f/Flowmeter
2" Hose Inlet and 2" Hose Outlet
AIR TRACTOR
Z 00106



50x170mm Line Strainer f/Flowmeter
2" Hose Inlet and 2" Hose Outlet
IPANEMA - after Spray Control Valve
Z 00107



120 x 410mm Line Strainer
3" Thread Inlet/3" Thread Outlet
Z 00108



160 x 410mm Line Strainer
3" Thread Inlet/3" Thread Outlet
Z 00109



50 x 170mm Line Strainer
2" Hose Inlet and 2" Hose Outlet
Z 00111



50x170mm Line Strainer f/Flowmeter
2" Male Inlet/Flange Outlet with 4 holes
IPANEMA - before Spray Control Valve
Z 00113



Strainer Element 50 x 340mm
Z 00106-06-10 (Mesh 10)
Z 00106-06-20 (Mesh 20)
Z 00106-06-30 (Mesh 30)
Z 00106-06-40 (Mesh 40)
Z 00106-06-50 (Mesh 50)
Z 00106-06-60 (Mesh 60)



Strainer Element 120 x 410mm
Z 00108-06-10 (Mesh 10)
Z 00108-06-20 (Mesh 20)
Z 00108-06-30 (Mesh 30)
Z 00108-06-40 (Mesh 40)
Z 00108-06-50 (Mesh 50)
Z 00108-06-60 (Mesh 60)



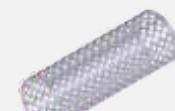
Strainer Element 160 x 410mm
Z 00109-06-10 (Mesh 10)
Z 00109-06-20 (Mesh 20)
Z 00109-06-30 (Mesh 30)
Z 00109-06-40 (Mesh 40)
Z 00109-06-50 (Mesh 50)
Z 00109-06-60 (Mesh 60)



Strainer Element 50 x 170mm
Z 20223-06-10 (Mesh 10)
Z 20223-06-20 (Mesh 20)
Z 20223-06-30 (Mesh 30)
Z 20223-06-40 (Mesh 40)
Z 20223-06-50 (Mesh 50)
Z 20223-06-60 (Mesh 60)



Strainer Element 70 x 283mm
Z 40223-06-10 (Mesh 10)
Z 40223-06-20 (Mesh 20)
Z 40223-06-30 (Mesh 30)
Z 40223-06-40 (Mesh 40)
Z 40223-06-50 (Mesh 50)
Z 40223-06-60 (Mesh 60)



Strainer Element 70 x 200mm
Z 51023-06-10 (Mesh 10)
Z 51023-06-20 (Mesh 20)
Z 51023-06-30 (Mesh 30)
Z 51023-06-40 (Mesh 40)
Z 51023-06-50 (Mesh 50)
Z 51023-06-60 (Mesh 60)

STAINLESS STEEL AND ALUMINUM COUPLERS



Aluminum Female/Hose Coupler



Aluminum 45° Female/Hose Coupler



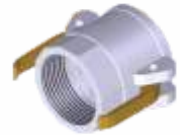
Aluminum Male/Inside-Thread Coupler



Aluminum Male/Outside-Thread Coupler



Aluminum Cap Coupler



Aluminum Female/Inside-Thread Coupler



Stainless Steel Female/Outside-Thread Coupler



Stainless Steel Female/Hose Coupler



Stainless Steel 45° Female/Hose Coupler



Stainless Steel Cap Coupler



Stainless Steel Male/Outside-Thread Coupler



Stainless Steel Female/Inside-Thread Coupler

PN	PRODUCT
Z 00003	1 ½" ALUMINUM FEMALE/HOSE
Z 000031	1½" STAINLESS STEEL FEMALE/HOSE
Z 000041	2" STAINLESS STEEL FEMALE/HOSE
Z 00005	2½" ALUMINUM FEMALE/HOSE
Z 00006	3" ALUMINUM FEMALE/HOSE
Z 000061	3" STAINLESS FEMALE/HOSE
Z 000131	1½" 45° STAINLESS STEEL FEMALE/HOSE
Z 00014	2" 45° ALUMINUM FEMALE/HOSE
Z 000141	2" 45° STAINLESS STEEL FEMALE/HOSE
Z 00016	3" 45° ALUMINUM FEMALE/HOSE
Z 000161	3" 45° STAINLESS STEEL FEMALE/HOSE
Z 00023	1½" BSP ALUMIN. MALE/INSIDE-THREAD
Z 00024	2" BSP ALUMIN. MALE/INSIDE-THREAD

PN	PRODUCT
Z 000241	2" BSP STAINLESS MALE/INSIDE-THREAD
Z 00026	3" BSP ALUMINUM MALE/INSIDE-THREAD
Z 000261	3" BSP STAINLESS MALE/INSIDE-THREAD
Z 00033	1½" BSP ALUMIN. MALE/OUTSIDE-THREAD
Z 00034	2" BSP ALUMINUM MALE/OUTSIDE-THREAD
Z 000341	2" BSP STAINLESS MALE/OUTSIDE-THREAD
Z 00036	3" BSP ALUMINUM MALE/OUTSIDE-THREAD
Z 000361	3" BSP STAINLESS MALE/OUTSIDE-THREAD
Z 00041	1" ALUMINUM CAP
Z 00043	1½" ALUMINUM CAP
Z 000431	1½" STAINLESS STEEL CAP
Z 00044	2" ALUMINUM CAP

PN	PRODUCT
Z 000441	2" STAINLESS STEEL CAP
Z 00046	3" AL ALUMINUM CAP
Z 000461	3" STAINLESS STEEL CAP
Z 00053	1½" BSP AL. FEMALE/INSIDE-THREAD
Z 000531	1½" BSP SS. FEMALE/INSIDE-THREAD
Z 00054	2" BSP AL. FEMALE/INSIDE-THREAD
Z 000541	2" BSP SS. FEMALE/INSIDE-THREAD
Z 00056	3" BSP AL. FEMALE/INSIDE-THREAD
Z 00063	1½" BSP AL FEMALE/OUT.-THREAD
Z 00064	2" BSP AL FEMALE/OUT.-THREAD
Z 00066	3" BSP AL FEMALE/OUT.-THREAD
Z 000661	3" BSP SS FEMALE/OUT.-THREAD



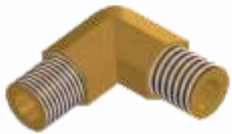
Plug NPT 1/8"



Niple NPT 1/8"



Extension NPT 1/8"



Elbow NPT 1/8"



1 1/2" Boom Clamp



2" Boom Clamp



Sealing Ring



Handle



Stainless Steel Clamps



90° Stainless Steel Elbow
w/ Inlet-Thread, 3"



T
Stainless Steel
w/ Inlet-Thread, 3"



HOW TO FIND ZANONI

Zanoni Equipamentos has been dedicated to making its products available to agricultural pilots worldwide. The company believes that international cooperation, through dialogue and exchange of experiences, contributes to the evolution of the ag aviation industry in all countries and, above all, to the evolution of global agriculture. Just as several foreign technologies are used in Brazil and has helped make us one of the biggest food producers in the world, a great diversity of Brazilian innovations has contributed to crops in other countries.

Every pilot in each country does an essential job of taking care of crops, ensuring that the food reaches the mouths of the billions of people who live on the same planet. Believing in this responsibility that the agricultural aviation industry carries with itself, Zanoni Equipamentos seeks to fulfill its mission to offer the best quality aerial spraying systems around the world, by building relationships based on trust and integrity and constantly improving our products through research and the needs of each of our partners.

In this sense, we have strengthened our partnerships in Brazil, Latin America and North America, so that together we can offer the best technologies to all pilots. Below you will find more information about our distributors in the USA and Canada. If you are interested in being our dealer, our door is always open and do not hesitate to contact the Zanoni team.

ZANONI'S DISTRIBUTORS IN NORTH AMERICA

CANADA



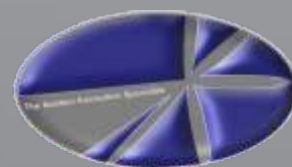
Prairie Dusters

204-796-1513 / 204-796-0240

Birtle, Manitoba, R0M 0C0

www.prairiedusters.com

UNITED STATES



Turbine Conversions, Ltd

Turbine Conversions, Ltd

616-837-9428 / 616-837-9556

Nunica, Michigan 49448

www.turbineconversions.com



+55 (44) 3424-2420
+55 (44) 3424-2884



www.zanonequipamentos.com.br
zanoni@zanonequipamentos.com.br



Rodovia BR 376
Distrito Industrial
Paranavaí/PR - Brazil



+55 (44) 99864-4747



[/zanonequipamentos](https://www.facebook.com/zanonequipamentos)



[@zanonequipamentos](https://www.instagram.com/zanonequipamentos)