



INDUSTRIAL INNOVATION

www.idwmx.com

contact@idwmx.com
mvillalobos@idwmx.com

| +52 1 (999) 142 60 20

We evolve your ideas into products.

We do the engineering so that you can **achieve your
dreams.**

About Us

We're a company dedicated to providing engineering services for the creation of electronic products.

We work with private companies that require hardware design and/or software development for integrated IoT systems.

The difference is our methodology, we follow a very specific methodology to ensure that we meet your requirements in the fastest and most optimal way possible, saving our customers time and money while getting a quicker return of investment.

Our philosophy is to be a strategic advantage to our customers and keep them always ahead of their competition.

PRODUCT DESIGN

- Plastic and metallic enclosure design.
- DFM/DFA.
- Concept development.
- Prototyping and validation.
- Contract Manufacturing.

ELECTRONIC DESIGN

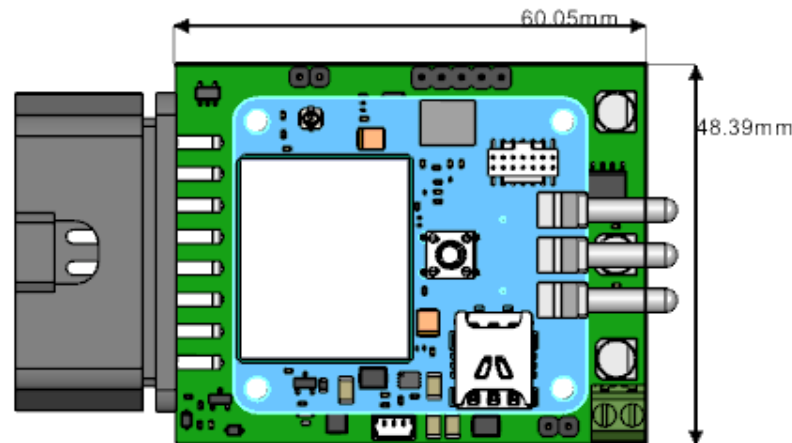
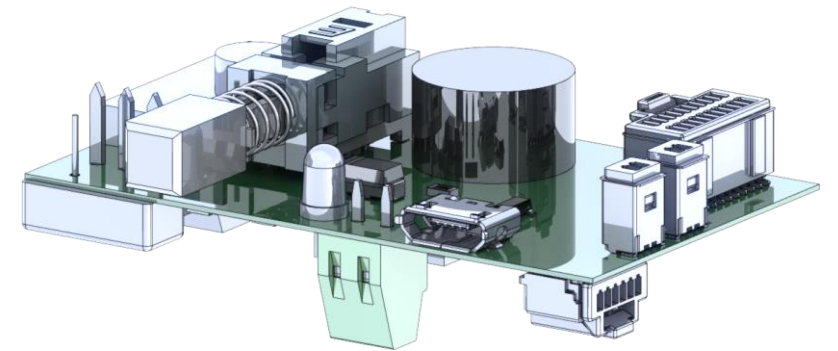
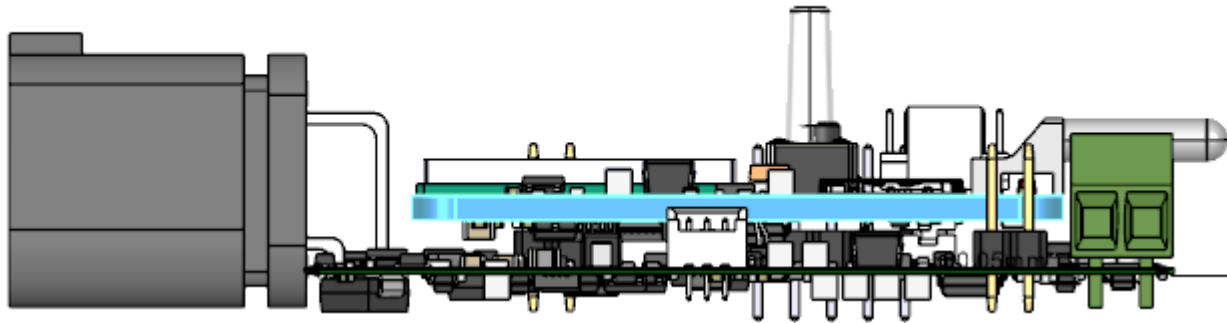
- Electronic schematic design and prototyping.
- PCB design and manufacture.
- Prototype PCB manufacture.
- Arduino projects.
- Cortex M projects.

SOFTWARE DEVELOPMENT

- IoT interface Software development.
- Web applications.
- RESTful web-services and applications.
- Mobile applications
- Cortex M projects.

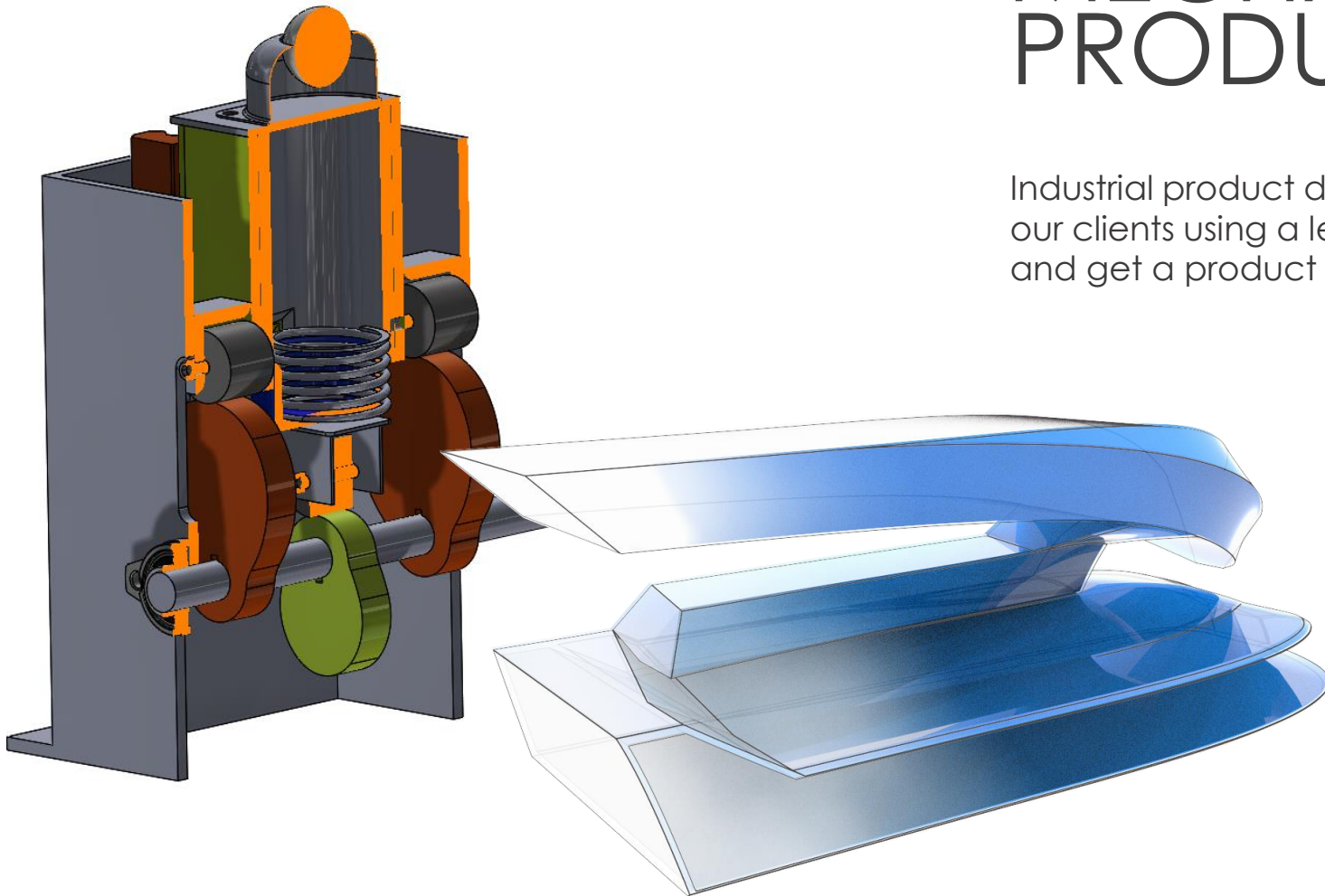
3D modeling of PCBs is indispensable for optimal design of products and cases. We use Altium designer for this projects.

PCB DESIGN AND MANUFACTURE



MECHANICAL PRODUCT DESIGN

Industrial product design based on the requirements of our clients using a lean methodology to reduce costs and get a product ready to market.



HOW TO WORK WITH US?

CONTACT US

Explain us your idea or product.

E-mail:
contact@idwmx.com
mvillalobos@idwmx.com

SCHEDULE YOUR APPOINTMENT

Schedule an online video call (Skype).
Talk about your product.

PROJECT PROPOSAL

\$150 USD

We charge for the making of a formal proposal.
If you decide to work with us this amount is
deducted from the total.

HOW WE HELP YOU BUILD YOUR PRODUCT?

Scrum Methodology



```
graph TD; A[Scrum Methodology] --> B[Sprint Planning]; A --> C[Weekly Calls]; A --> D[Fast Project Development];
```

Sprint Planning

Weekly Calls

Fast Project Development



INDUSTRIAL INNOVATION

www.idwmx.com

contact@idwmx.com | +52 1 (999) 142 60 20
mvillalobos@idwmx.com

