



Brazil

**CAPOLAVORI IS A YOUNG SUPPLIER , OF HARD TO FIND ITEMS,
WITH EXPERTISE IN BULK MATERIALS, MISCELLANEOUS AND MRO.**

**If you cannot find what you need, we are experts in the search
and procurement to reduce costs in your purchasing process,
avoiding time consuming and repetitive actions, for local or
international made goods.**

We like to be challenged !

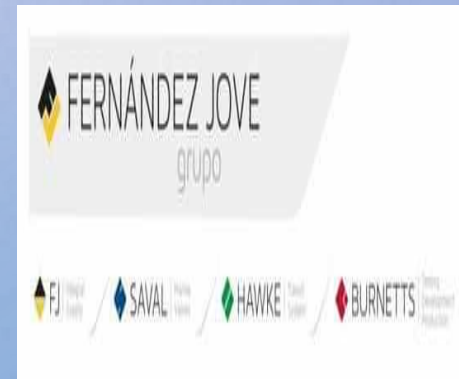
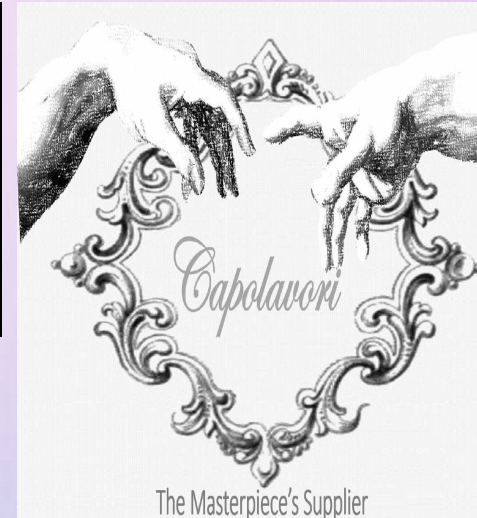




TIME/MONEY SAVINGS

- ENGINEERING/SPECIFICATION TIME
- PROCUREMENT TEAM MAN HOUR
- INSPECTION/FOLLOW-UP/TRANSPORTATION CONSOLIDATION
- PAYMENTS -EXPENDITURES
- INTERNATIONAL TRANSPORTS AND IMPORTATION COSTS
- INLAND TRANSPORTATION CONSOLIDATION COST.
- ACCOUNTS PAYABLE CONSOLIDATION AND FINANCIAL POWERING DISCOUNTS.
- LESS BANK FEES DUE TO LESS PAYMENTS AND MONEY TRANSFERS

BRANDS WE REPRESENT/DISTRIBUTE





MADE IN ITALY



ARCA
VALVES
*quality engineered
control valves*



**Designed to Make
a Difference**



**Valves, Pumps & Cryogenics
world-wide**



**ARCA Regler - Zuverlässigkeit
in Regelarmaturen weltweit!**

DS VARIflow & VARIflow HDP
Variable area desuperheaters

- Suitable for:
 - Steam
 - Process gas
- Markets:
 - Oil & gas
 - Power
 - General industry



Capolavori
The Masterpiece's supplier

ARCAPRO® positioner

ARCA
VALVES
*quality engineered
control valves*





- Choke Valves
- Gate Valves API 6A
- HIPPS Valves
- Well Head Control Panels
- Control Systems
- Liquid Discharge Valves
- Hydraulic Power Units
- Oil & Gas Upstream Equipment





SWISS fluid

lined valves and components

- Diaphragm Valves
- Cylindrical Plug Valves
- Ball Valves
- Sight Glasses
- Check Valves
- Butterfly Valves
- Valve Automation
- Sampling Ball Valves
- Inline Sampling Valves
- Sampling Systems



with corrosion-resistant linings and encapsulations made of PTFE, PTFE-AS, PFA, PFA-AS, PVDF, ETFE, UHMWPE, PP ...

**STATE OF THE SMART
FLUID HANDLING SYSTEMS**




Ramén Valves
We know the flow


ENGELSBERG
when the flow counts



**Ramén KS
Ball Sector Valves**



**Ramén KSGF
Rubber Lined**



**Ramén KSPF
Titanium**

**Industrial
Valves
Made in
Sweden**



**Engelsberg
Ball Valves**



**Engelsberg
Vacuum Valves**



**Engelsberg
Gate Valves**



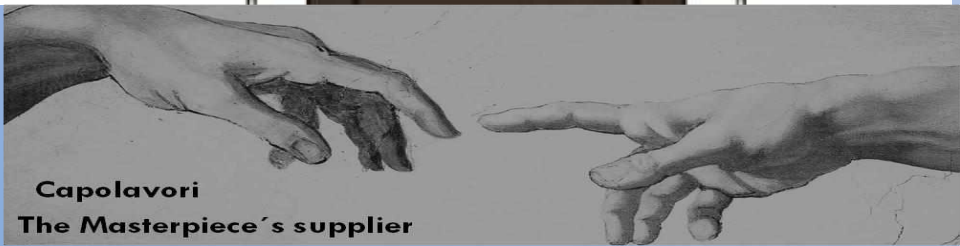
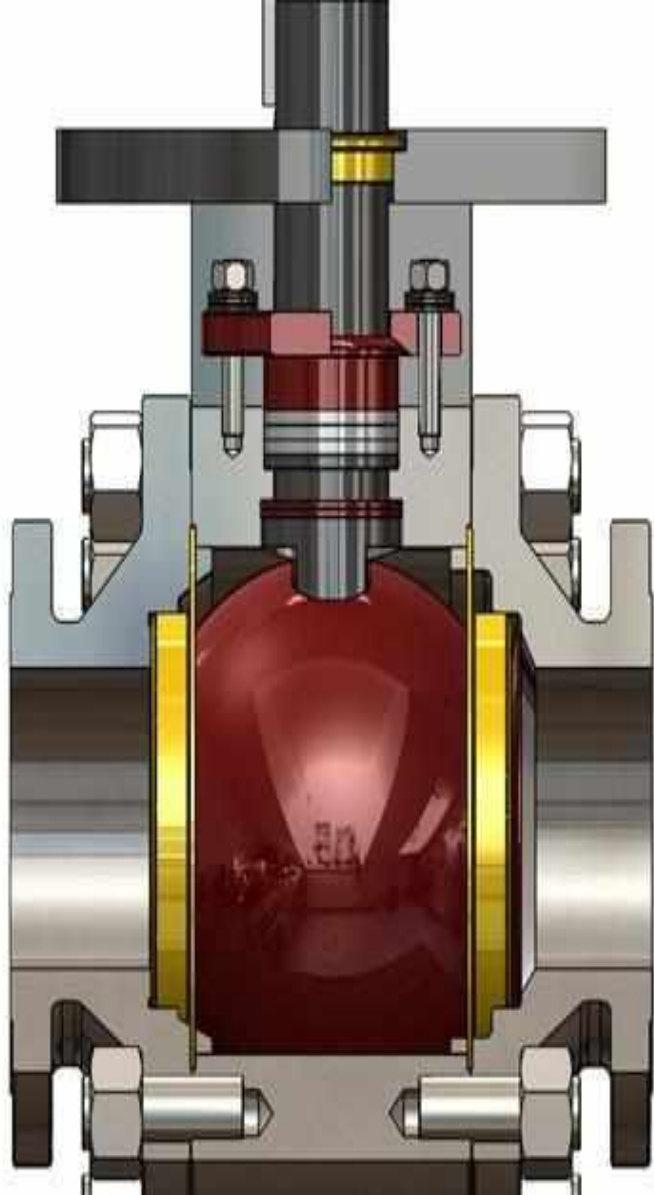
**Engelsberg
Globe Valves**



**Engelsberg
Check Valves**

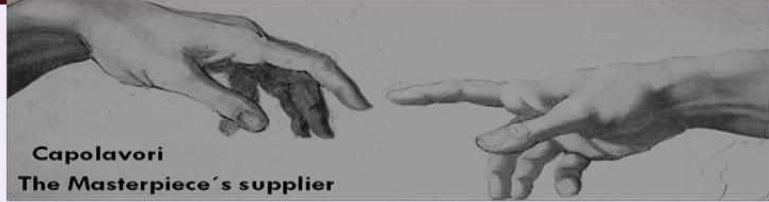


Severe Service/Mining Valves



Capolavori
The Masterpiece's supplier

Severe Service Ball Valves



Capolavori
The Masterpiece's supplier

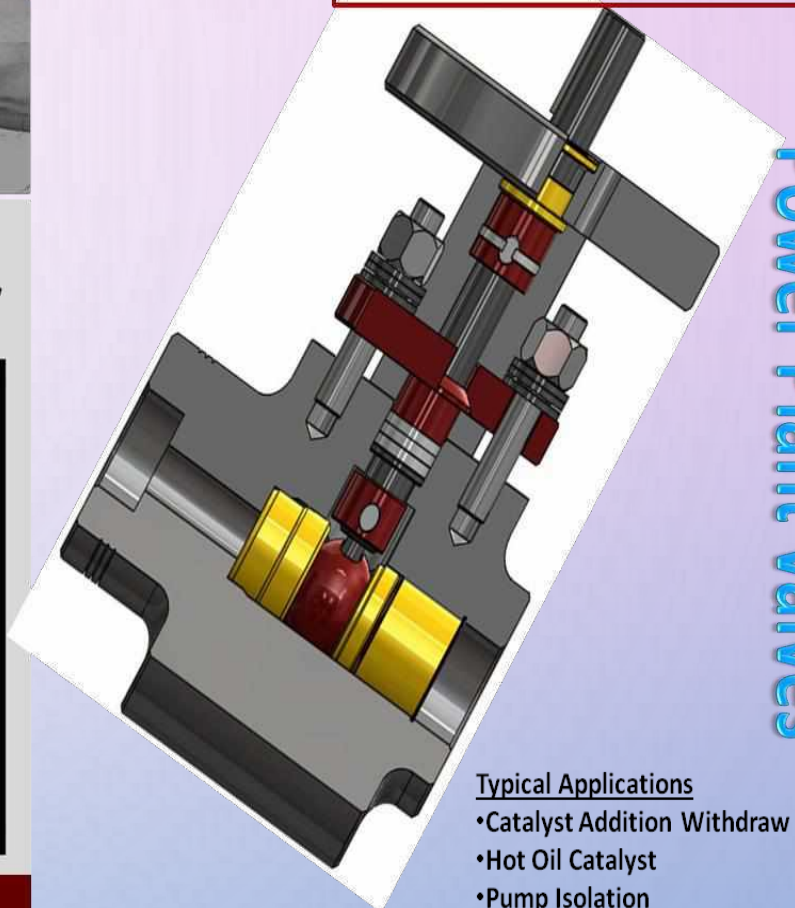
THIS "3.0 INCH 2500# STEAM VALVE J SERIES VALVE DESIGNED BY REMINGTON ENGINEERED WITH QUALITY, DURABILITY, AND RELIABILITY IN MIND.



REMINGTON VALVE

Alta abrasão, Alta Corrosão
Alta Pressão e Alta Temperatura
REMINGTON VALVE!

Premium Metal Seated Ball Valves



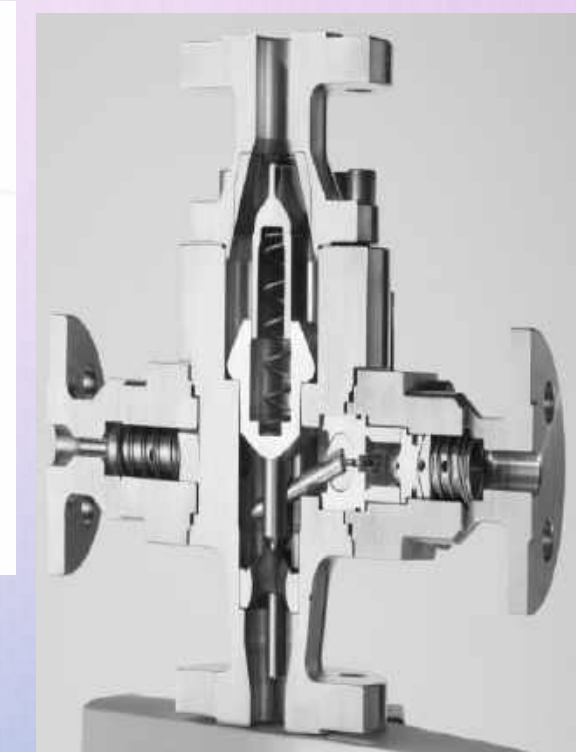
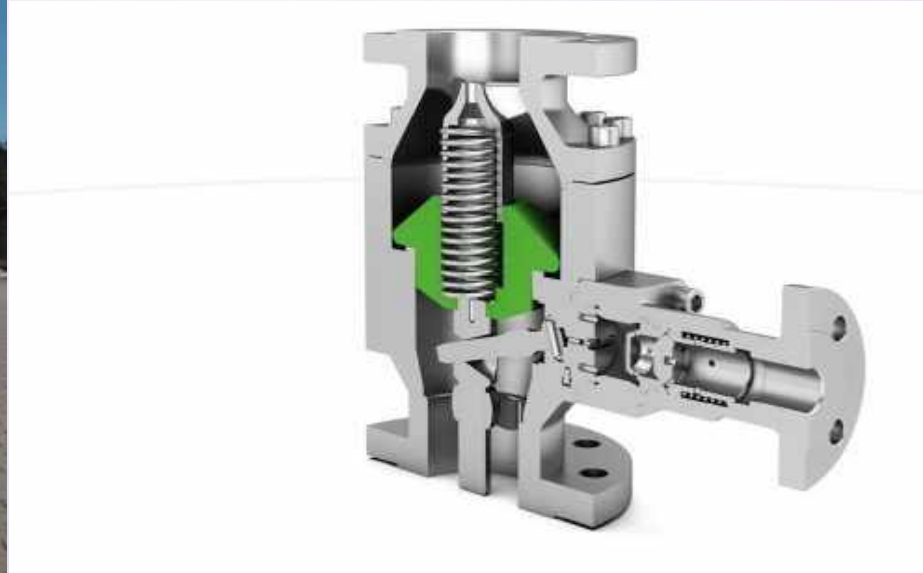
Power Plant Valves

Typical Applications

- Catalyst Addition Withdraw
- Hot Oil Catalyst
- Pump Isolation
- Mining Slurries
- Gas Isolation
- Hot Air
- Bottoms Isolation
- Feed Water
- On Off Service
- Solids Isolation
- Coker Drum Isolation
- All Severe &Critical Installations

Recirculation Valves/Pump Protection Valves has a name:
Schroeder!
Tradition , Quality and Confidence!

 **schroeder**
valves
reliable pump protection





COLUMNS & REACTORS

Material:

- Titanium
- Tantalum
- Zirconium
- Duplex
- Super-Duplex



SHELL & TUBE HEAT EXCHANGERS

T.E.M.A. type Heat Exchangers
Multitube / Hairpin Heat Exchangers

Material:

- Titanium
- Tantalum
- Zirconium
- Duplex
- Super-Duplex



PRESSURE VESSELS

Low & High Pressure Vessels

Material:

- Titanium
- Tantalum
- Zirconium
- Duplex
- Super-Duplex



SPECIAL ITEMS

Engineered equipments according to customer specification:
Pump case, Calson, Filter

Material:

- Titanium
- Tantalum
- Zirconium
- Duplex
- Super-Duplex



PIPING SPOOL, PIPE & FITTINGS

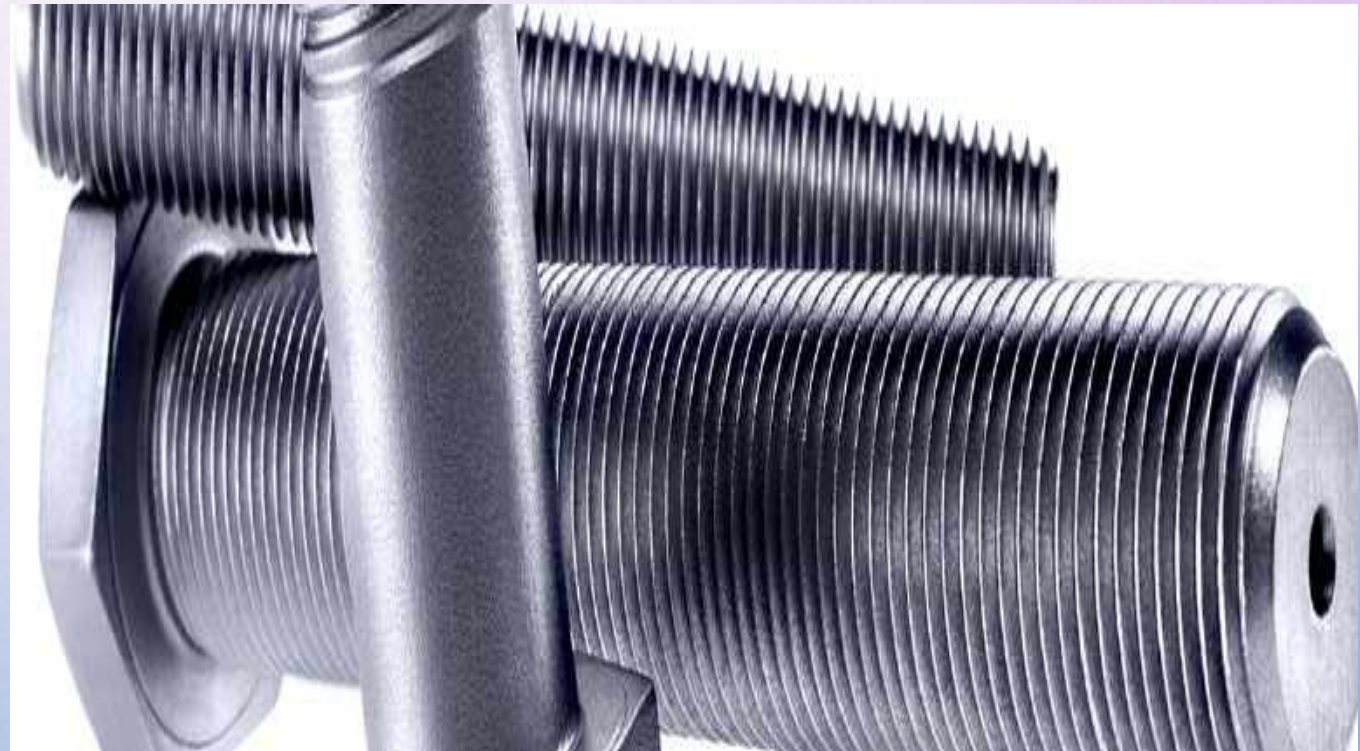
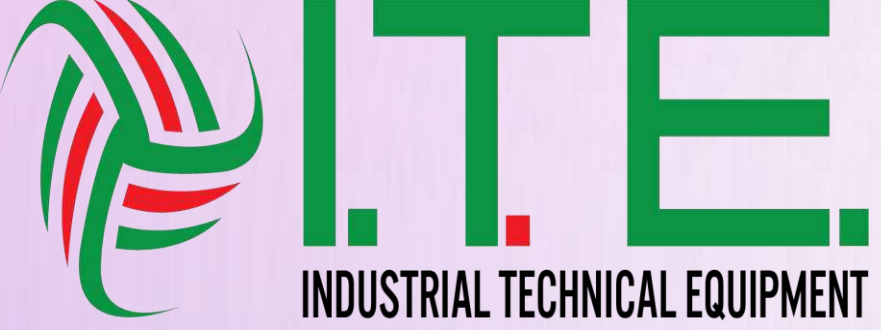
Material:

- Titanium
- Zirconium



MAINTENANCE AT SITE

Installation, repair and renovation of boilers, pressure parts, heat exchangers, piping, etc.
OSM plans and assistance to Client during plant life
Decommissioning activities

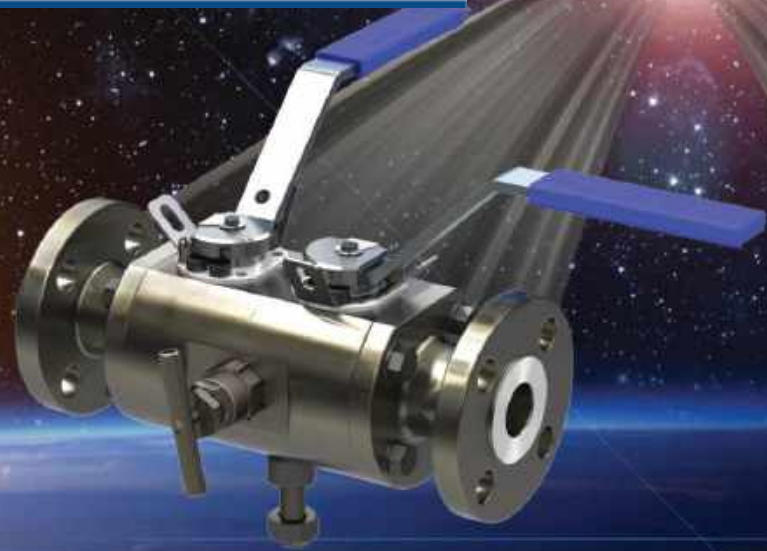


Barzon

HYDRAULIC & OLEODYNAMIC SYSTEMS

SINCE 1960







SAVAL | Marine Valves

Hawke

HAWKE | Transit System



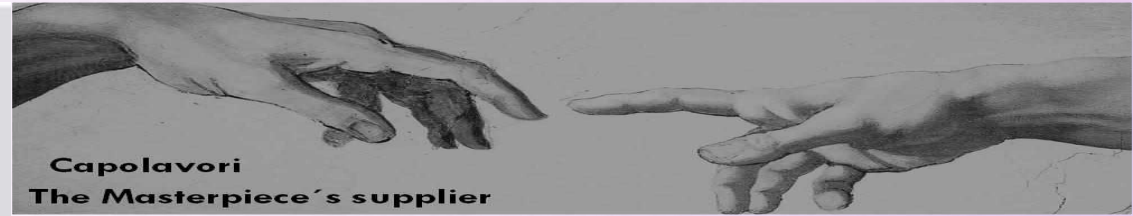
The Compression System

Tolerant Insert and Filler Blocks

Stainless Steel Stayplates

Adhesive Copper Strip

EMC Transit System



Capolavori
The Masterpiece's supplier



SISTEMA DE CONTROL REMOTO DE VÁLVULAS (SCRV)
VÁLVULAS Y ACTUADORES
ARMARIO DE CONTROL
UNIDAD DE POTENCIA HIDRÁULICA



FERNÁNDEZ JOVE
grupo

FERNÁNDEZ JOVE
group



Products Lines

Design on request to cover specific customer demands

| | | | | | |
|-------------------------------------|--|--|--|--|--|
| Waste Treatment |  Incinerators |  STP |  Oily Water Separators |  Shredder Compactor |  Pulper |
| Custom made equipment |  Helicopter Refueling System |  AFFF Stations |  AFFF hose-reels |  Helideck safety nets | |
| Heating Units & Temperature Control |  Hidrophore groups |  Water Calorifiers |  Fuel Heaters |  Heat Exchangers |  Cooling modules |
| Other equipment |  Shore connection reels |  HP/LP Flasks |  RCS canyon protection |  Explosion Venting Devices | |



Capolavori
The Masterpiece's supplier



Capolavori
The Masterpiece's supplier

VIEC

SERVVALVE

Quarter Turn Actuators for Control Valves

Quarter turn control valves performances requested by process engineering design institutes are more and more stringent and severe and can only be achieved with use of accurate electronic control positioners.



Quarter turn actuator

Derivative quarter turn actuators are designed to operate on safety, integrity or other valves with 90° rotation for on-off or modulating service. Parallel flow actuators are mainly selected for small size valves or for very critical and accurate modulating service, while switch valve actuators are preferred for medium and big size valves, due to their capacity of loading output torque at 90° and 0° valve position.

It performs the best possible control torque diagram related to the valve required torque, each valve is available in pneumatic or electric actuators.



Direct gas operated actuators

Increasing worldwide demand for natural gas has pushed continuous developing on construction of new gas pipeline and gas treatment and compression stations. Gas spilled from pipeline is often adopted as medium supply for valve actuators, being the most direct and convenient power source.



In order to follow this tendency SERVVALVE has developed a full actuator range suitable to work using pipeline gas, already qualified and approved by law of main pipeline gas Company. Basis of this range are the highly reliable and well proven high pressure SERVVALVE actuators, available in both quarter turn or linear execution.



The particular pressure supply medium has brought few improvements and modifications to the standard high pressure cylinder actuators:

Compact inlet gas manifold complete of gas filter dehydrator with unique design in order to eliminate the presence of water and impurities in feed gas, protecting the components of the pneumatic control circuit and the actuator itself, assuring a long life and low maintenance to the equipment.

Gas manifold with modular design in order to provide different control typology for customized control logics.

Anti control circuit components enclosed in weather proof cabinets to assure optimum corrosion protection for installation in harsh environmental with presence of aggressive gas or application in explosion execution.

Availability of PED or Aseme approved gas storage tanks for emergency strokes in case of power loss - different tank certifications available on request.

Manual emergency override composed of separated hydraulic cylinder with handpump. Emergency cylinder is consequently totally separated from high pressure gas cylinder avoiding mixture of the two fluids and allowing the possibility of maintenance or repair activity on pneumatic cylinder without losing operability of the valve controlled by the emergency override.

Local control by means of lever operated solenoid valve, allowing possibility of local testing and control.

Standard working pressure up to 105 Bar (1500 psig) execution for higher pressures available on request.

Standard temperature range - 20°C / + 60°C available execution for low temperature up to - 60°C.

Electrohydraulic actuator

The ultimate approach in engineering of Power plants and CRSGas production and treatment fields, has increased the demand for remote operation of valves with fully autonomous systems. Best solution to reduce plant installation cost where compressed air is not available or is not a practical solution and to allow operation in remote or unmanned locations, are self-contained hydraulic actuator systems.



Main advantages of an electrohydraulic actuator are the following:

Reduction of cost for installation and maintenance providing a simple and reliable system.

Increased safety with automatic fail safe position in case of electric power failure.

High level of reliability due to continuous monitoring of working status.

Compact execution with reduction of dimensions and weight due to the availability of high pressure hydraulic medium for actuator operation, with possibility of providing a totally sealed system with corrosion protection of internal components for installation in harsh environmental or application of explosion protection.

Hydraulic energy stored in high pressure compact accumulators, available at any time under all circumstances.

LCD display for easy calibration, position, pressure and fault diagnostic.

Design of electrohydraulic system is extremely flexible and can be adapted to suit many different application or plant requirement, providing a highly customized product in various configurations.

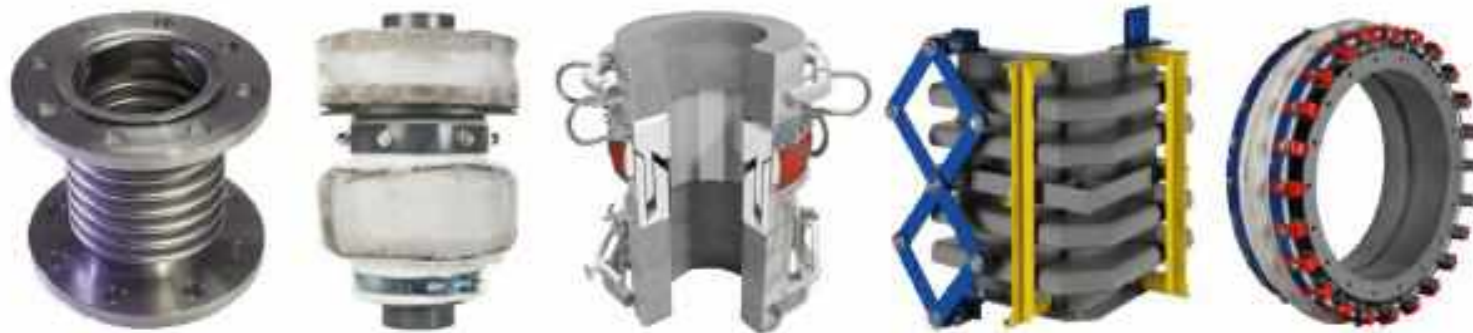
Centralized power pack designed with built-in accumulator rack and control cabinet for control of one or more valves.

Self-contained hydraulic units with compact power pack integrated with the actuator.

Fully independent hydraulic system for on/off or modulating service with 4-20 mA control signal and Hart protocol.

Hydraulic unit for HIPS application in safety and critical valves.

- Fabric Expansion Joints
- Single/Multi layer Metallic Bellows
- PTFE Bellows
- Rubber & Fluorelastomer Bellows
- Stainless Steel Flexible Hoses
- Plant Integration





Skid Packages

GFSA has over 30 years of experience in the design, manufacture and commissioning of skid-based integrated process systems for the Oil & Gas, Petro-Chemical, Energy and Water Treatment industries.

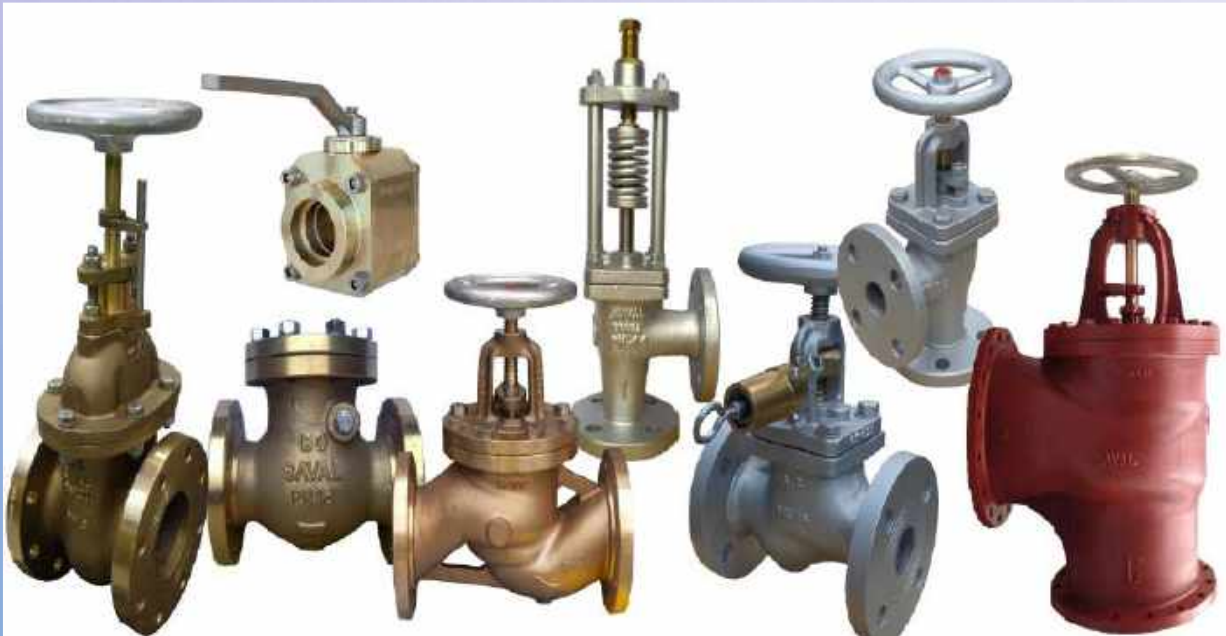
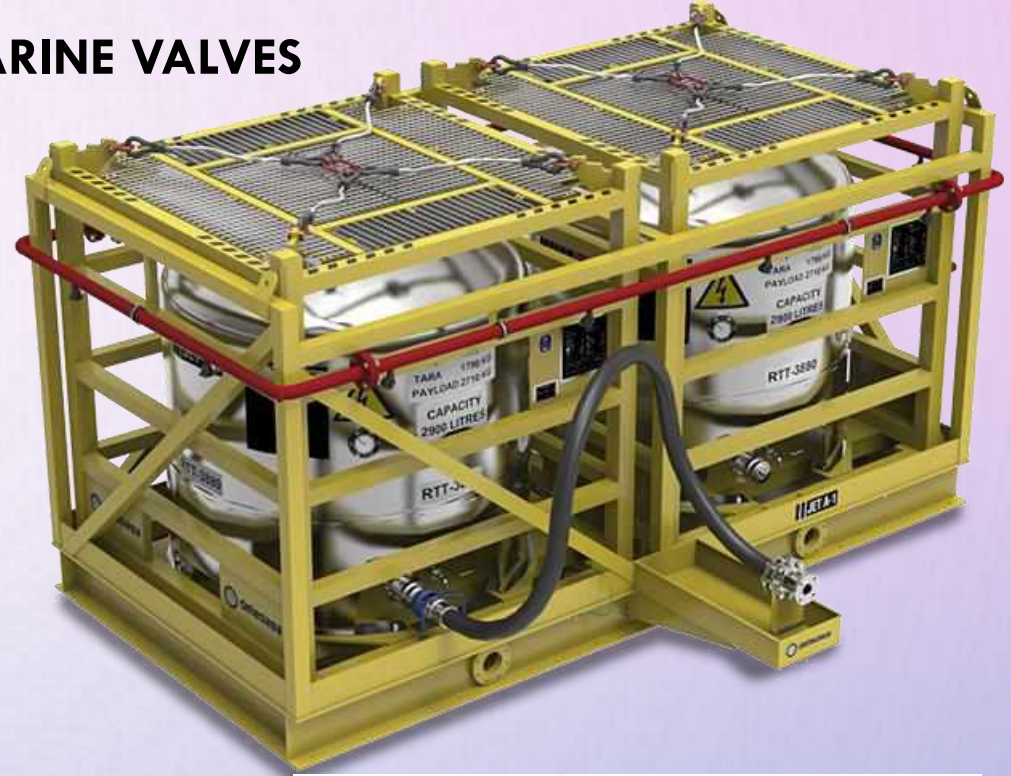
We are an approved supplier for many leading companies in the Oil and Gas and broader energy sectors, these include Aker Solutions, CB & I, FWEL, Kvaerner, National Grid, PDO, VWS Westgarth and Worley Parsons among others. We are also members of the EIC and registered with FPAL and Achilles.

As specialists in the design and supply of bespoke packaged filtration units, we are able to integrate the latest technology including combinations of vessels, pipework, valving, controls and filters for maximum performance while reducing operator intervention.

PIPES FLANGES, FITTINGS and Hoses (duplex and superduplex)



NAVAL ESPECIAL EQUIPMENT-MARINE VALVES



STATIC EQUIPMENT, SKIDS, SPOOLS, MONOLITHIC JOINT



OUR EXCLUSIVE AND AGGRESSIVE SELLING POSITION: THE BALANCE BETWEEN REPRESENTATION/DISTRIBUTION

- Capolavori works in both ways, choosing the most economical and certain channel for selling the products:
 - **direct from the manufacturers as their representatives or...**
 - **as a distributor consolidating packages.**
- We are sure you will not find any other company that can put together a package of goods and services to serve you, bringing great cost reduction and time savings.
- We like to be challenged !



CONTACTS

contato@capolavori.com.br (+55 15 99177- 4217)

capo@capolavori.com.br (+55 15 99153 6002)

consultoria@capolavori.com.br (+55 15 9 9177- 4217)

address: Rua Jorge Macruz 257, Boituva, SP, cep 18550 000

www.capolavori.com.br



The Masterpiece's Supplier



Capolavori

The Masterpiece's Supplier